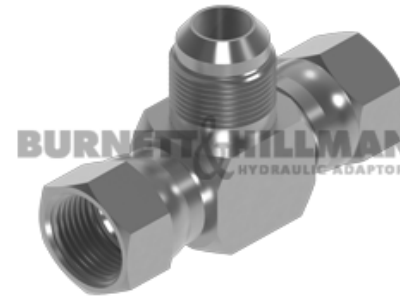
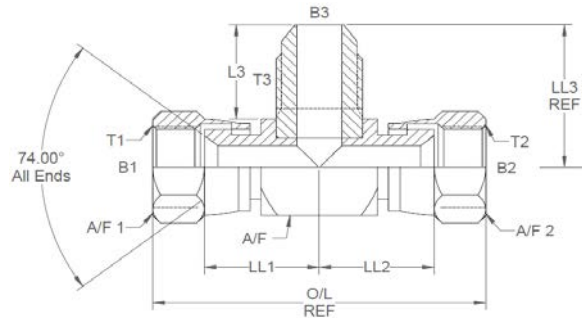


JIC swivel female x JIC swivel female x JIC male branch tee

Oct-21
0525 IMP

All dimensions are imperial unless stated.



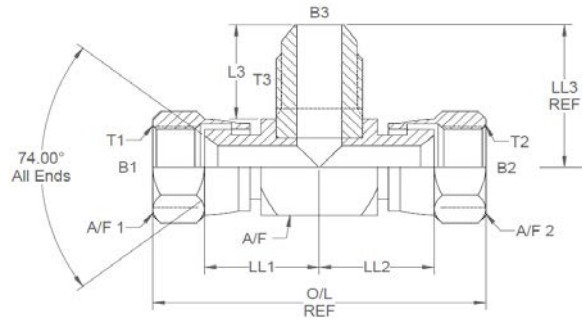
	T1	T2	T3	B1	B2	B3	L3	O/L	LL1	LL2	LL3	A/F	A/F1	A/F2
03010	7/16	7/16	7/16	0.176	0.176	0.172	0.64	2	0.625	0.625	0.89	0.5	0.562	0.562
03011	1/2	1/2	1/2	0.203	0.203	0.234	0.64	2.13	0.684	0.684	0.89	0.5	0.625	0.625
03012	9/16	9/16	9/16	0.297	0.297	0.297	0.7	2.33	0.772	0.772	1.012	0.625	0.687	0.687
03013	3/4	3/4	3/4	0.39	0.39	0.391	0.85	2.84	0.993	0.993	1.287	0.875	0.875	0.875
03014	7/8	7/8	7/8	0.5	0.5	0.484	0.95	3.21	1.097	1.097	1.45	1	1	1
03015	1-1/16	1-1/16	1-1/16	0.593	0.593	0.609	1.05	3.76	1.302	1.302	1.612	1.125	1.25	1.25
03016	1-5/16	1-5/16	1-5/16	0.812	0.812	0.844	1.22	4.15	1.46	1.46	1.907	1.375	1.5	1.5

DESIGN DETAILS AND SPECIFICATIONS SUBJECT TO CHANGE WITHOUT PRIOR NOTICE - Whilst every effort has been made to ensure the accuracy of the information supplied herein, Burnett & Hillman cannot be held responsible for any errors or omissions (E&OE)

**JIC swivel female x JIC swivel female x
JIC male branch tee**

Oct-21
0525 METRIC

A/F dimensions are imperial unless stated.



	T1	T2	T3	B1	B2	B3	L3	O/L	LL1	LL2	LL3	A/F	A/F1	A/F2
03010	7/16	7/16	7/16	4.47	4.47	4.37	16.26	50.8	15.88	15.88	22.61	0.5	0.562	0.562
03011	1/2	1/2	1/2	5.16	5.16	5.94	16.26	54.1	17.37	17.37	22.61	0.5	0.625	0.625
03012	9/16	9/16	9/16	7.54	7.54	7.54	17.78	59.18	19.61	19.61	25.7	0.625	0.687	0.687
03013	3/4	3/4	3/4	9.91	9.91	9.93	21.59	72.14	25.22	25.22	32.69	0.875	0.875	0.875
03014	7/8	7/8	7/8	12.7	12.7	12.29	24.13	81.53	27.86	27.86	36.83	1	1	1
03015	1-1/16	1-1/16	1-1/16	15.06	15.06	15.47	26.67	95.5	33.07	33.07	40.94	1.125	1.25	1.25
03016	1-5/16	1-5/16	1-5/16	20.62	20.62	21.44	30.99	105.41	37.08	37.08	48.44	1.375	1.5	1.5

DESIGN DETAILS AND SPECIFICATIONS SUBJECT TO CHANGE WITHOUT PRIOR NOTICE - Whilst every effort has been made to ensure the accuracy of the information supplied herein, Burnett & Hillman cannot be held responsible for any errors or omissions (E&OE)