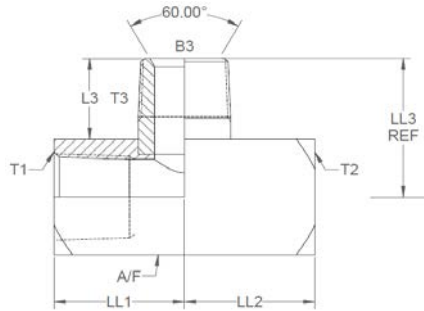


All dimensions are imperial unless stated.

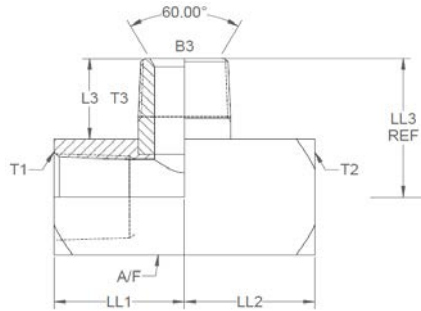


	T1	T2	T3	B3	L3	LL1	LL2	LL3	A/F
07080	1/4	1/4	1/4	0.25	0.7	0.937	0.937	1.075	0.75
07081	3/8	3/8	3/8	0.375	0.7	1	1	1.2	1
07082	1/2	1/2	1/2	0.5	0.943	1.25	1.25	1.505	1.125
07083	3/4	3/4	3/4	0.687	0.96	1.5	1.5	1.647	1.375
07084	1	1	1	0.843	1.315	1.725	1.725	2.19	1.75
07085	1-1/4	1-1/4	1-1/4	1.203	1.49	2.062	2.062	2.49	2
07086	1-1/2	1-1/2	1-1/2	1.312	1.64	2.25	2.25	2.86	2.5
07087	2	2	2	1.75	1.7	2.65	2.65	3.2	3

**NPTF fixed female x NPTF fixed female x  
NPTF male branch tee**

Oct-21  
0524 METRIC

A/F dimensions are imperial unless stated.



	T1	T2	T3	B3	L3	LL1	LL2	LL3	A/F
07080	1/4	1/4	1/4	6.35	17.78	23.8	23.8	27.31	0.75
07081	3/8	3/8	3/8	9.53	17.78	25.4	25.4	30.48	1
07082	1/2	1/2	1/2	12.7	23.95	31.75	31.75	38.23	1.125
07083	3/4	3/4	3/4	17.45	24.38	38.1	38.1	41.83	1.375
07084	1	1	1	21.41	33.4	43.82	43.82	55.63	1.75
07085	1-1/4	1-1/4	1-1/4	30.56	37.85	52.37	52.37	63.25	2
07086	1-1/2	1-1/2	1-1/2	33.32	41.66	57.15	57.15	72.64	2.5
07087	2	2	2	44.45	43.18	67.31	67.31	81.28	3

DESIGN DETAILS AND SPECIFICATIONS SUBJECT TO CHANGE WITHOUT PRIOR NOTICE - Whilst every effort has been made to ensure the accuracy of the information supplied herein, Burnett & Hillman cannot be held responsible for any errors or omissions (E&OE)