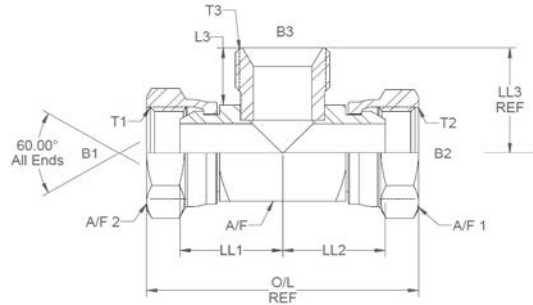
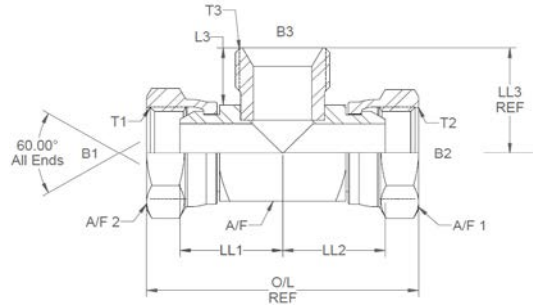


All dimensions are imperial unless stated.



	T1	T2	T3	B1	B2	B3	L3	O/L	LL1	LL2	LL3	A/F	A/F1	A/F2
02070	1/4	1/4	1/4	0.172	0.172	0.185	0.465	1.97	0.77	0.77	0.773	0.625	19mm	19mm
02071	3/8	3/8	3/8	0.271	0.271	0.312	0.56	2.51	1.002	1.002	0.935	0.75	22mm	22mm
02072	1/2	1/2	1/2	0.375	0.375	0.437	0.61	2.71	1.063	1.063	1.048	0.875	27mm	27mm
02073	5/8	5/8	5/8	0.5	0.5	0.437	0.7	3.11	1.135	1.135	1.335	1	30mm	30mm
02074	3/4	3/4	3/4	0.6	0.6	0.625	0.75	3.25	1.232	1.232	1.312	1.125	32mm	32mm
02075	1	1	1	0.797	0.797	0.812	0.8	3.72	1.423	1.423	1.487	1.375	41mm	41mm
02076	1-1/4	1-1/4	1-1/4	1.014	1.014	0.875	0.8	4.29	1.715	1.715	1.86	1.75	50mm	50mm

A/F dimensions are imperial unless stated.



	T1	T2	T3	B1	B2	B3	L3	O/L	LL1	LL2	LL3	A/F	A/F1	A/F2
02070	1/4	1/4	1/4	4.37	4.37	4.7	11.81	50.04	19.56	19.56	19.63	0.625	19mm	19mm
02071	3/8	3/8	3/8	6.88	6.88	7.92	14.22	63.75	25.45	25.45	23.75	0.75	22mm	22mm
02072	1/2	1/2	1/2	9.53	9.53	11.1	15.49	68.83	27	27	26.62	0.875	27mm	27mm
02073	5/8	5/8	5/8	12.7	12.7	11.1	17.78	78.99	28.83	28.83	33.91	1	30mm	30mm
02074	3/4	3/4	3/4	15.24	15.24	15.88	19.05	82.55	31.29	31.29	33.32	1.125	32mm	32mm
02075	1	1	1	20.24	20.24	20.62	20.32	94.49	36.14	36.14	37.77	1.375	41mm	41mm
02076	1-1/4	1-1/4	1-1/4	25.76	25.76	22.23	20.32	108.97	43.56	43.56	47.24	1.75	50mm	50mm

DESIGN DETAILS AND SPECIFICATIONS SUBJECT TO CHANGE WITHOUT PRIOR NOTICE - Whilst every effort has been made to ensure the accuracy of the information supplied herein, Burnett & Hillman cannot be held responsible for any errors or omissions (E&OE)