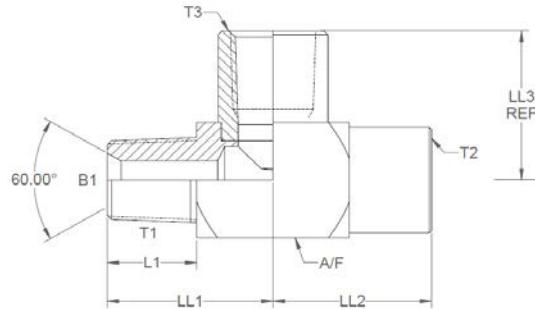
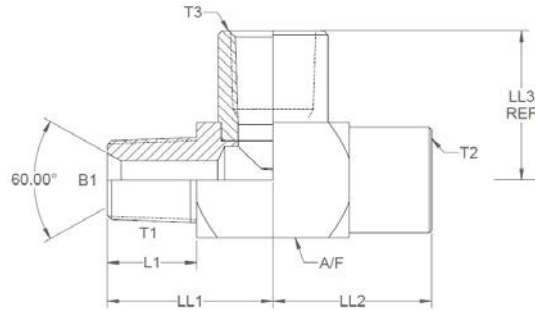


All dimensions are imperial unless stated.



	T1	T2	T3	B1	L1	LL1	LL2	LL3	A/F
07059	1/8	1/8	1/8	0.188	0.38	0.705	0.725	0.737	0.625
07060	1/4	1/4	1/4	0.25	0.56	1.037	0.992	0.97	0.75
07061	3/8	3/8	3/8	0.375	0.56	1.095	1.105	1.125	1
07062	1/2	1/2	1/2	0.5	0.75	1.42	1.33	1.302	1.125
07063	3/4	3/4	3/4	0.687	0.75	1.57	1.47	1.532	1.375
07064	1	1	1	0.843	1.195	2.07	1.725	1.735	1.75
07065	1-1/4	1-1/4	1-1/4	1.203	1.325	2.387	2.062	2	2
07066	1-1/2	1-1/2	1-1/2	1.312	1.6	2.912	2.312	2.25	2.5

A/F dimensions are imperial unless stated.



	T1	T2	T3	B1	L1	LL1	LL2	LL3	A/F
07059	1/8	1/8	1/8	4.78	9.65	17.91	18.42	18.72	0.625
07060	1/4	1/4	1/4	6.35	14.22	26.34	25.2	24.64	0.75
07061	3/8	3/8	3/8	9.53	14.22	27.81	28.07	28.58	1
07062	1/2	1/2	1/2	12.7	19.05	36.07	33.78	33.07	1.125
07063	3/4	3/4	3/4	17.45	19.05	39.88	37.34	38.91	1.375
07064	1	1	1	21.41	30.35	52.58	43.82	44.07	1.75
07065	1-1/4	1-1/4	1-1/4	30.56	33.66	60.63	52.37	50.8	2
07066	1-1/2	1-1/2	1-1/2	33.32	40.64	73.96	58.72	57.15	2.5