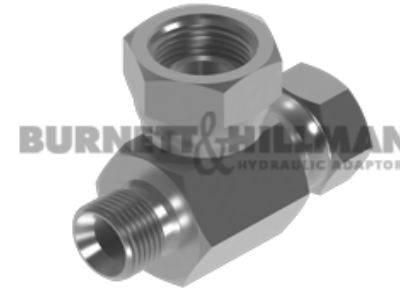
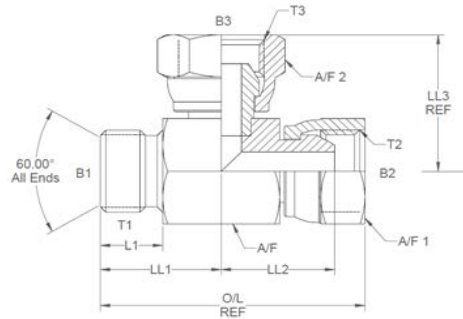


**BSP male x BSP swivel female x BSP
swivel female branch tee ENLARGING
ON BRANCH**

Oct-21
0519 IMP

All dimensions are imperial unless stated.



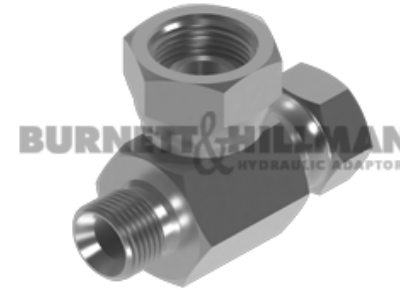
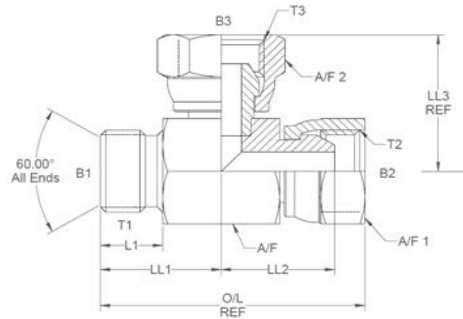
	T1	T2	T3	B1	B2	B3	L1	O/L	LL1	LL2	LL3	A/F	A/F1	A/F2
09633	3/8	3/8	1/2	0.312	0.271	0.375	0.52	2.41	1.08	1.074	1.375	27mm	22mm	27mm

DESIGN DETAILS AND SPECIFICATIONS SUBJECT TO CHANGE WITHOUT PRIOR NOTICE - Whilst every effort has been made to ensure the accuracy of the information supplied herein, Burnett & Hillman cannot be held responsible for any errors or omissions (E&OE)

**BSP male x BSP swivel female x BSP
swivel female branch tee ENLARGING
ON BRANCH**

Oct-21
0519 METRIC

A/F dimensions are imperial unless stated.



	T1	T2	T3	B1	B2	B3	L1	O/L	LL1	LL2	LL3	A/F	A/F1	A/F2
09633	3/8	3/8	1/2	7.92	6.88	9.53	13.21	61.21	27.43	27.28	34.93	27mm	22mm	27mm