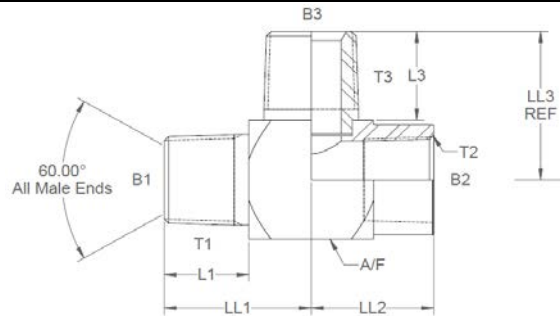


All dimensions are imperial unless stated.

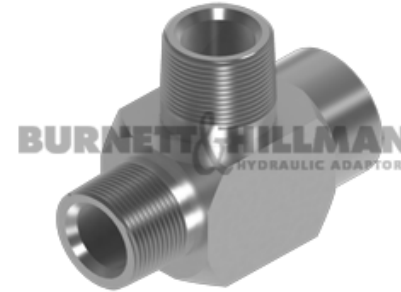
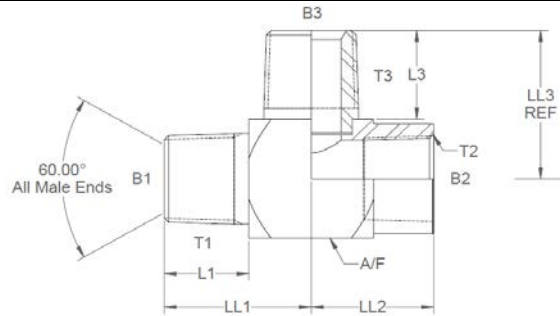


	T1	T2	T3	B1	B3	L1	L3	LL1	LL2	LL3	A/F
08010	1/4	1/4	1/4	0.25	0.25	0.56	0.71	1.037	0.992	1.08	0.75
08011	3/8	3/8	3/8	0.375	0.375	0.56	0.7	1.095	1.105	1.2	1
08012	1/2	1/2	1/2	0.5	0.5	0.75	0.943	1.42	1.33	1.505	1.125
08013	3/4	3/4	3/4	0.687	0.687	0.75	0.96	1.57	1.47	1.647	1.375
08014	1	1	1	0.843	0.843	1.195	1.315	2.07	1.725	2.19	1.75
08015	1-1/4	1-1/4	1-1/4	1.203	1.203	1.325	1.49	2.387	2.062	2.49	2
08016	1-1/2	1-1/2	1-1/2	1.312	1.312	1.6	1.64	2.912	2.312	2.89	2.5

**NPTF male x NPTF fixed female x NPTF
male branch tee**

Oct-21
0516 METRIC

A/F dimensions are imperial unless stated.



	T1	T2	T3	B1	B3	L1	L3	LL1	LL2	LL3	A/F
08010	1/4	1/4	1/4	6.35	6.35	14.22	18.03	26.34	25.2	27.43	0.75
08011	3/8	3/8	3/8	9.53	9.53	14.22	17.78	27.81	28.07	30.48	1
08012	1/2	1/2	1/2	12.7	12.7	19.05	23.95	36.07	33.78	38.23	1.125
08013	3/4	3/4	3/4	17.45	17.45	19.05	24.38	39.88	37.34	41.83	1.375
08014	1	1	1	21.41	21.41	30.35	33.4	52.58	43.82	55.63	1.75
08015	1-1/4	1-1/4	1-1/4	30.56	30.56	33.66	37.85	60.63	52.37	63.25	2
08016	1-1/2	1-1/2	1-1/2	33.32	33.32	40.64	41.66	73.96	58.72	73.41	2.5

DESIGN DETAILS AND SPECIFICATIONS SUBJECT TO CHANGE WITHOUT PRIOR NOTICE - Whilst every effort has been made to ensure the accuracy of the information supplied herein, Burnett & Hillman cannot be held responsible for any errors or omissions (E&OE)