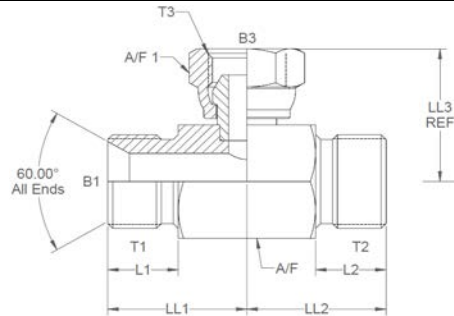


**BSP male x BSP male x BSP swivel
female branch tee REDUCING ON
BRANCH**

Oct-21
0510 IMP

All dimensions are imperial unless stated.



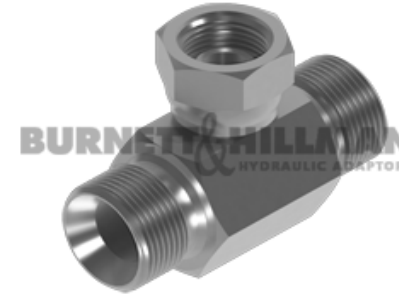
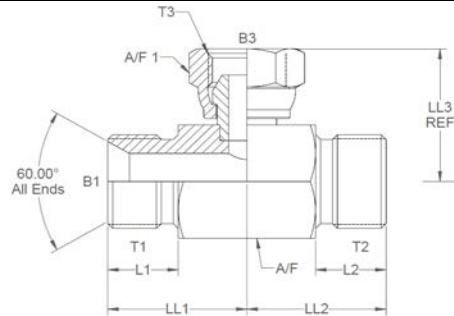
	T1	T2	T3	B1	B3	L1	L2	LL1	LL2	LL3	A/F	A/F1
02010	3/8	3/8	1/4	0.312	0.172	0.52	0.52	1	1	1.07	22mm	14mm
02015	1/2	1/2	1/4	0.437	0.172	0.6	0.6	1.16	1.16	1.2	27mm	14mm
02008	1/2	1/2	3/8	0.437	0.271	0.6	0.6	1.16	1.16	1.29	27mm	22mm
02016	3/4	3/4	1/2	0.625	0.375	0.75	0.75	1.48	1.48	1.46	32mm	27mm
02006-16-16-06	0	0	0	0	0	0	0	0	0	0	0	0
02006-16-16-12	1	1	3/4	0.875	0.562	0.8	0.8	1.7	1.7	1.7	41mm	32mm
02007-20-20-16	1-1/4	1-1/4	1	1.125	0.75	0.8	0.8	1.925	1.925	1.98	50mm	41mm

DESIGN DETAILS AND SPECIFICATIONS SUBJECT TO CHANGE WITHOUT PRIOR NOTICE - Whilst every effort has been made to ensure the accuracy of the information supplied herein, Burnett & Hillman cannot be held responsible for any errors or omissions (E&OE)

**BSP male x BSP male x BSP swivel
female branch tee REDUCING ON
BRANCH**

Oct-21
0510 METRIC

A/F dimensions are imperial unless stated.



	T1	T2	T3	B1	B3	L1	L2	LL1	LL2	LL3	A/F	A/F1
02010	3/8	3/8	1/4	7.92	4.37	13.21	13.21	25.4	25.4	27.18	22mm	14mm
02015	1/2	1/2	1/4	11.1	4.37	15.24	15.24	29.46	29.46	30.48	27mm	14mm
02008	1/2	1/2	3/8	11.1	6.88	15.24	15.24	29.46	29.46	32.77	27mm	22mm
02016	3/4	3/4	1/2	15.88	9.53	19.05	19.05	37.59	37.59	37.08	32mm	27mm
02006-16-16-06	0	0	0	0	0	0	0	0	0	0	0	0
02006-16-16-12	1	1	3/4	22.23	14.27	20.32	20.32	43.18	43.18	43.18	41mm	32mm
02007-20-20-16	1-1/4	1-1/4	1	28.58	19.05	20.32	20.32	48.9	48.9	50.29	50mm	41mm

DESIGN DETAILS AND SPECIFICATIONS SUBJECT TO CHANGE WITHOUT PRIOR NOTICE - Whilst every effort has been made to ensure the accuracy of the information supplied herein, Burnett & Hillman cannot be held responsible for any errors or omissions (E&OE)