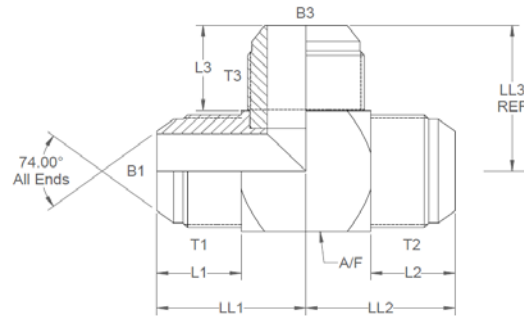


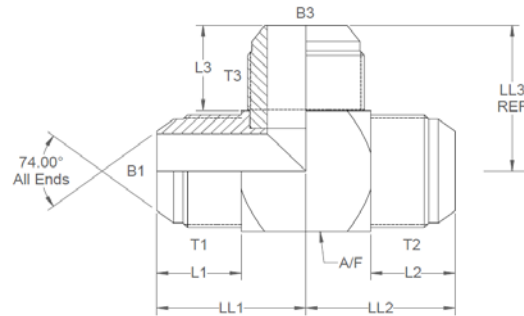
All dimensions are imperial unless stated.



	T1	T2	T3	B1	B3	L1	L2	L3	LL1	LL2	LL3	A/F
01949	3/8	3/8	3/8	0.125	0.125	0.464	0.464	0.464	0.83	0.83	0.83	0.438
01950	7/16	7/16	7/16	0.172	0.172	0.535	0.535	0.535	0.89	0.89	0.89	0.438
01951	1/2	1/2	1/2	0.234	0.234	0.535	0.535	0.535	0.95	0.95	0.95	0.562
01952	9/16	9/16	9/16	0.297	0.297	0.541	0.541	0.541	1.06	1.06	1.06	0.562
01953	3/4	3/4	3/4	0.391	0.391	0.642	0.642	0.642	1.25	1.25	1.25	0.75
01954	7/8	7/8	7/8	0.484	0.484	0.743	0.743	0.743	1.45	1.45	1.45	0.875
01955	1-1/16	1-1/16	1-1/16	0.609	0.609	0.99	0.99	1.09	1.615	1.615	1.652	1.125
01956	1-3/16	1-3/16	1-3/16	0.719	0.719	1.1	1.1	1.13	1.8	1.8	1.817	1.375
01957	1-5/16	1-5/16	1-5/16	0.844	0.844	1.125	1.125	1.22	1.837	1.837	1.907	1.375
01958	1-5/8	1-5/8	1-5/8	1.078	1.078	1.175	1.175	1.23	2.075	2.075	2.105	1.75
01959	1-7/8	1-7/8	1-7/8	1.312	1.312	1.2	1.2	1.32	2.262	2.262	2.32	2
01966	2-1/2	2-1/2	2-1/2	1.781	1.781	1.55	1.55	1.865	3.175	3.175	3.24	2.75

DESIGN DETAILS AND SPECIFICATIONS SUBJECT TO CHANGE WITHOUT PRIOR NOTICE - Whilst every effort has been made to ensure the accuracy of the information supplied herein, Burnett & Hillman cannot be held responsible for any errors or omissions (E&OE)

A/F dimensions are imperial unless stated.



	T1	T2	T3	B1	B3	L1	L2	L3	LL1	LL2	LL3	A/F
01949	3/8	3/8	3/8	3.18	3.18	11.79	11.79	11.79	21.08	21.08	21.08	0.438
01950	7/16	7/16	7/16	4.37	4.37	13.59	13.59	13.59	22.61	22.61	22.61	0.438
01951	1/2	1/2	1/2	5.94	5.94	13.59	13.59	13.59	24.13	24.13	24.13	0.562
01952	9/16	9/16	9/16	7.54	7.54	13.74	13.74	13.74	26.92	26.92	26.92	0.562
01953	3/4	3/4	3/4	9.93	9.93	16.31	16.31	16.31	31.75	31.75	31.75	0.75
01954	7/8	7/8	7/8	12.29	12.29	18.87	18.87	18.87	36.83	36.83	36.83	0.875
01955	1-1/16	1-1/16	1-1/16	15.47	15.47	25.15	25.15	27.69	41.02	41.02	41.96	1.125
01956	1-3/16	1-3/16	1-3/16	18.26	18.26	27.94	27.94	28.7	45.72	45.72	46.15	1.375
01957	1-5/16	1-5/16	1-5/16	21.44	21.44	28.58	28.58	30.99	46.66	46.66	48.44	1.375
01958	1-5/8	1-5/8	1-5/8	27.38	27.38	29.85	29.85	31.24	52.71	52.71	53.47	1.75
01959	1-7/8	1-7/8	1-7/8	33.32	33.32	30.48	30.48	33.53	57.45	57.45	58.93	2
01966	2-1/2	2-1/2	2-1/2	45.24	45.24	39.37	39.37	47.37	80.65	80.65	82.3	2.75

DESIGN DETAILS AND SPECIFICATIONS SUBJECT TO CHANGE WITHOUT PRIOR NOTICE - Whilst every effort has been made to ensure the accuracy of the information supplied herein, Burnett & Hillman cannot be held responsible for any errors or omissions (E&OE)