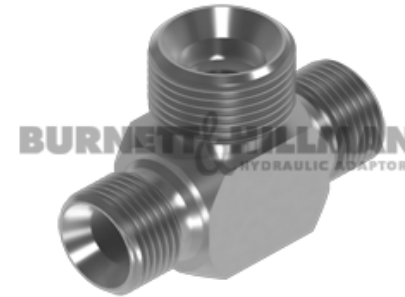
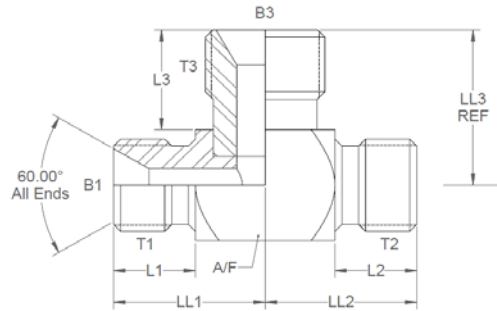
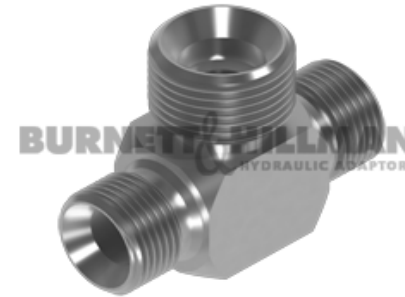
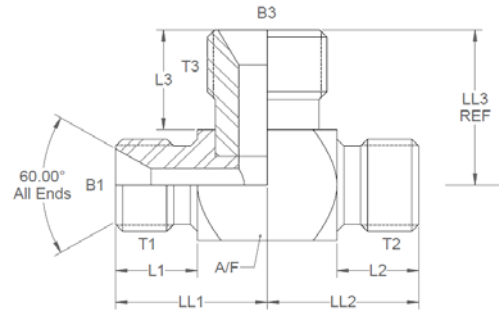


All dimensions are imperial unless stated.



	T1	T2	T3	B1	B3	L1	L2	L3	LL1	LL2	LL3	A/F
01911	1/4	1/4	3/8	0.185	0.312	0.45	0.45	0.56	0.832	0.832	0.872	0.625
01913	0	0	0	0	0	0	0	0	0	0	0	0

A/F dimensions are imperial unless stated.



	T1	T2	T3	B1	B3	L1	L2	L3	LL1	LL2	LL3	A/F
01911	1/4	1/4	3/8	4.7	7.92	11.43	11.43	14.22	21.13	21.13	22.15	0.625
01913	0	0	0	0	0	0	0	0	0	0	0	0