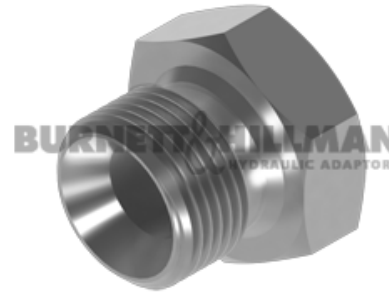
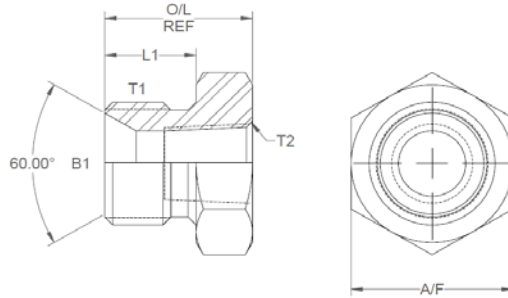


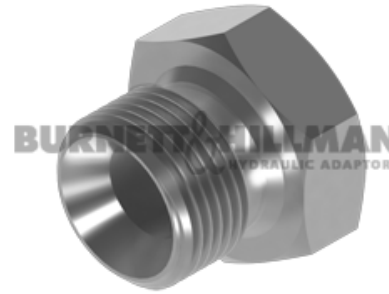
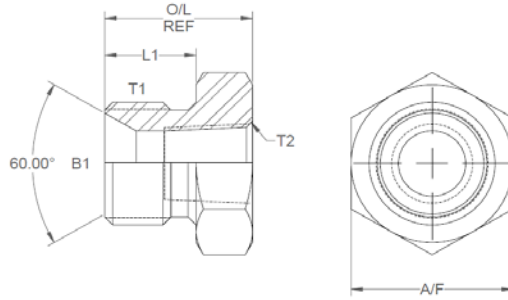
All dimensions are imperial unless stated.



	T1	T2	B1	L1	O/L	A/F
16601	1/2	1/4	0.437	0.6	0.97	27mm
16605	1	1/4	0.437	0.8	1.3	41mm
16606	1	3/8	0.875	0.8	1.3	41mm
16607	1	1/2	0.875	0.8	1.3	41mm

DESIGN DETAILS AND SPECIFICATIONS SUBJECT TO CHANGE WITHOUT PRIOR NOTICE - Whilst every effort has been made to ensure the accuracy of the information supplied herein, Burnett & Hillman cannot be held responsible for any errors or omissions (E&OE)

A/F dimensions are imperial unless stated.



	T1	T2	B1	L1	O/L	A/F
16601	1/2	1/4	11.1	15.24	24.64	27mm
16605	1	1/4	11.1	20.32	33.02	41mm
16606	1	3/8	22.23	20.32	33.02	41mm
16607	1	1/2	22.23	20.32	33.02	41mm

DESIGN DETAILS AND SPECIFICATIONS SUBJECT TO CHANGE WITHOUT PRIOR NOTICE - Whilst every effort has been made to ensure the accuracy of the information supplied herein, Burnett & Hillman cannot be held responsible for any errors or omissions (E&OE)