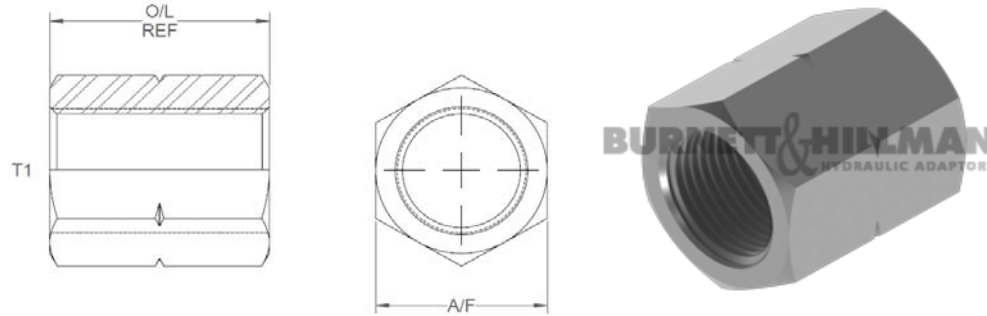
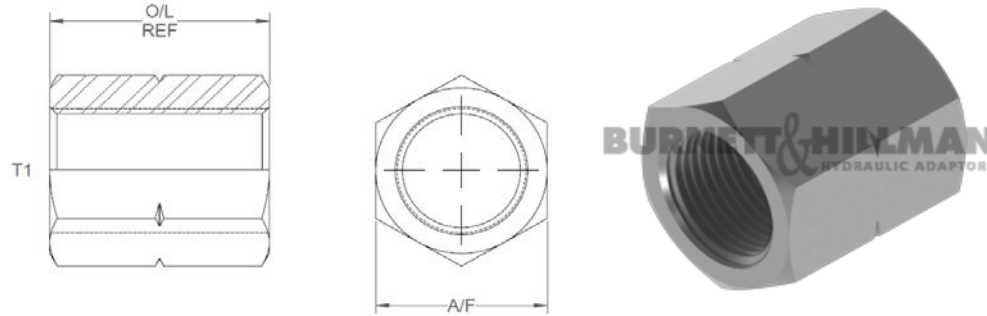


All dimensions are imperial unless stated.



	T1	O/L	A/F
19012	M10 x 1	1	17mm
19000	M12 x 1.5	1	17mm
19001	M14 x 1.5	1.13	19mm
19002	M16 x 1.5	1.2	22mm
19003	M18 x 1.5	1.2	24mm
19011	M20 x 1.5	1.1	27mm
19004	M22 x 1.5	1.2	27mm
19017	M24 x 1.5	1.2	30mm
19014	M26 x 1.5	1.7	32mm
19015	M30 x 1.5	1.7	1.5

A/F dimensions are imperial unless stated.



	T1	O/L	A/F
19012	M10 x 1	25.4	17mm
19000	M12 x 1.5	25.4	17mm
19001	M14 x 1.5	28.7	19mm
19002	M16 x 1.5	30.48	22mm
19003	M18 x 1.5	30.48	24mm
19011	M20 x 1.5	27.94	27mm
19004	M22 x 1.5	30.48	27mm
19017	M24 x 1.5	30.48	30mm
19014	M26 x 1.5	43.18	32mm
19015	M30 x 1.5	43.18	1.5