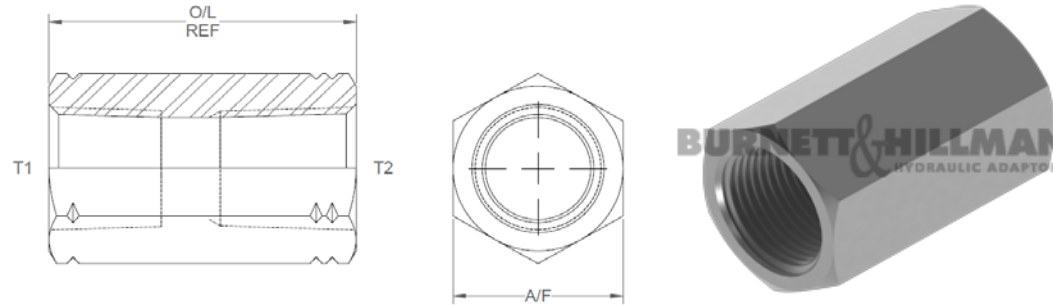
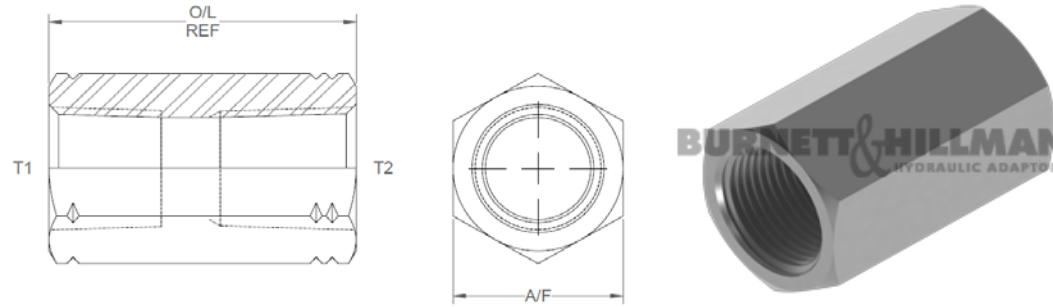


All dimensions are imperial unless stated.



	T1	T2	O/L	A/F
08401	3/8	3/8	1.4	22mm
08402	1/2	1/2	1.92	27mm
08403	3/4	3/4	2	32mm
08404	1	1	2.3	41mm
08405	1-1/4	1-1/4	2.25	50mm
08406	1-1/2	1-1/2	2.25	55mm
08407	2	2	2.625	70mm
08408	2-1/2	2-1/2	3.3	95mm
08409	3	3	3.3	4
08410	4	4	4	5.25

A/F dimensions are imperial unless stated.



	T1	T2	O/L	A/F
08401	3/8	3/8	35.56	22mm
08402	1/2	1/2	48.77	27mm
08403	3/4	3/4	50.8	32mm
08404	1	1	58.42	41mm
08405	1-1/4	1-1/4	57.15	50mm
08406	1-1/2	1-1/2	57.15	55mm
08407	2	2	66.68	70mm
08408	2-1/2	2-1/2	83.82	95mm
08409	3	3	83.82	4
08410	4	4	101.6	5.25