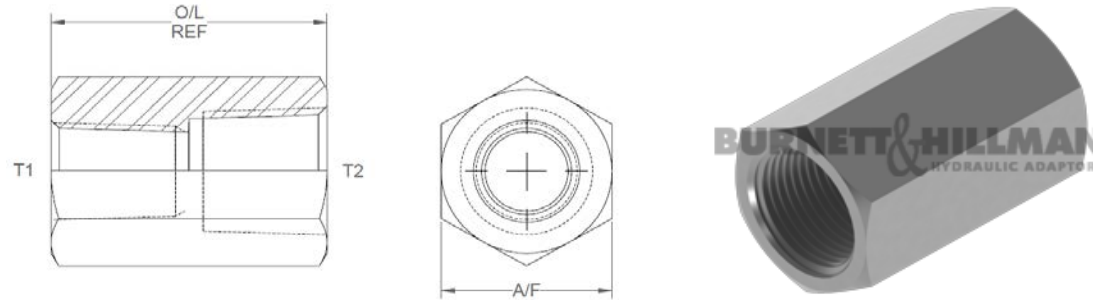
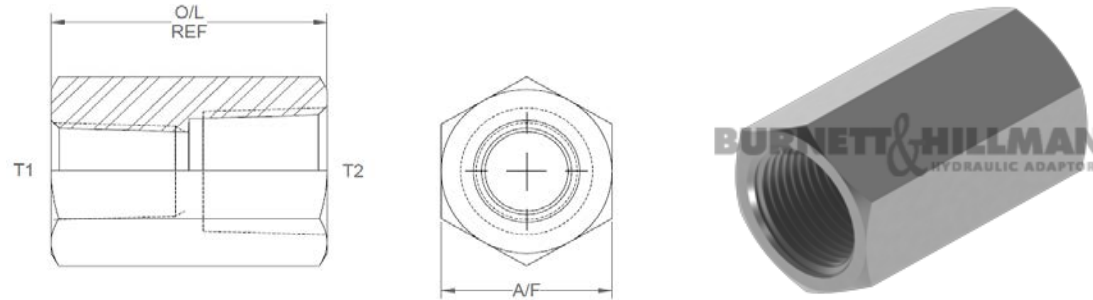


All dimensions are imperial unless stated.



	T1	T2	O/L	A/F
08090	1/8	1/4	1.125	19mm
08106	1/8	3/8	1.26	0.92
08091	1/4	3/8	1.4	22mm
08103	1/4	1/2	1.6	27mm
08100	3/8	1/2	1.6	27mm
08111	1/2	3/4	2	32mm
08092	3/4	1	2.5	41mm
08107	1	1-1/4	2.25	50mm
08105	1	1-1/2	2.25	55mm
08104	1	2	2.5	70mm
08108	1-1/4	1-1/2	2.35	55mm

A/F dimensions are imperial unless stated.



	T1	T2	O/L	A/F
08090	1/8	1/4	28.58	19mm
08106	1/8	3/8	32	0.92
08091	1/4	3/8	35.56	22mm
08103	1/4	1/2	40.64	27mm
08100	3/8	1/2	40.64	27mm
08111	1/2	3/4	50.8	32mm
08092	3/4	1	63.5	41mm
08107	1	1-1/4	57.15	50mm
08105	1	1-1/2	57.15	55mm
08104	1	2	63.5	70mm
08108	1-1/4	1-1/2	59.69	55mm

DESIGN DETAILS AND SPECIFICATIONS SUBJECT TO CHANGE WITHOUT PRIOR NOTICE - Whilst every effort has been made to ensure the accuracy of the information supplied herein, Burnett & Hillman cannot be held responsible for any errors or omissions (E&OE)