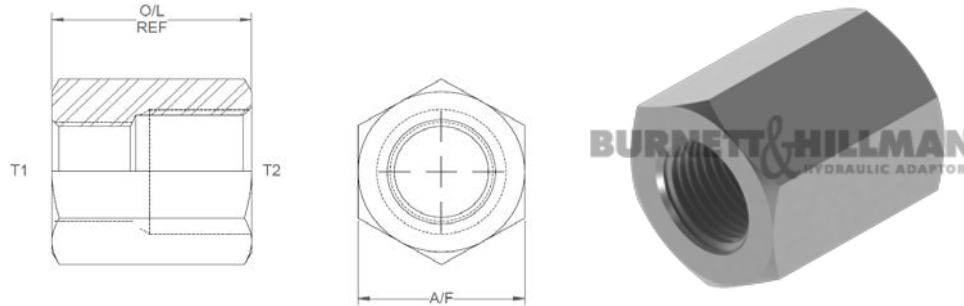


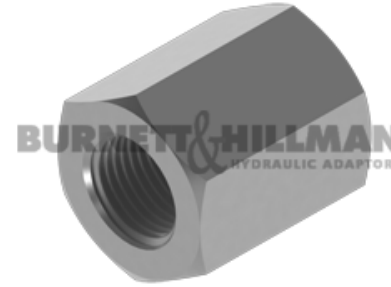
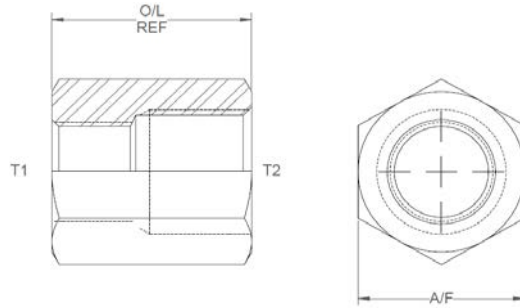
All dimensions are imperial unless stated.



	T1	T2	O/L	A/F
09001	1/8	1/4	25.4	19mm
08996	1/8	3/8	28.58	22mm
08995	1/8	1/2	32.51	27mm
09003	1/4	3/8	28.58	22mm
09016	1/4	1/2	32.51	27mm
09024	1/4	3/4	40.64	32mm
09006	3/8	1/2	32.39	27mm
09021	3/8	3/4	43.18	32mm
09007	1/2	3/4	43.18	32mm
09008	1/2	5/8	38.61	30mm
09017	1/2	1	45.72	41mm
09012-08-20	1/2	1-1/4	53.34	50mm
09015	3/4	1	50.8	41mm
08997	3/4	1-1/4	53.34	50mm
09018	1	1-1/4	55.88	50mm
09023	1	1-1/2	55.88	55mm
09022	1-1/4	1-1/2	55.88	55mm
09020	1-1/2	2	69.85	70mm

DESIGN DETAILS AND SPECIFICATIONS SUBJECT TO CHANGE WITHOUT PRIOR NOTICE - Whilst every effort has been made to ensure the accuracy of the information supplied herein, Burnett & Hillman cannot be held responsible for any errors or omissions (E&OE)

A/F dimensions are imperial unless stated.



	T1	T2	O/L	A/F
09001	1/8	1/4	1	19mm
08996	1/8	3/8	1.125	22mm
08995	1/8	1/2	1.28	27mm
09003	1/4	3/8	1.125	22mm
09016	1/4	1/2	1.28	27mm
09024	1/4	3/4	1.6	32mm
09006	3/8	1/2	1.275	27mm
09021	3/8	3/4	1.7	32mm
09007	1/2	3/4	1.7	32mm
09008	1/2	5/8	1.52	30mm
09017	1/2	1	1.8	41mm
09012-08-20	1/2	1-1/4	2.1	50mm
09015	3/4	1	2	41mm
08997	3/4	1-1/4	2.1	50mm
09018	1	1-1/4	2.2	50mm
09023	1	1-1/2	2.2	55mm
09022	1-1/4	1-1/2	2.2	55mm
09020	1-1/2	2	2.75	70mm

DESIGN DETAILS AND SPECIFICATIONS SUBJECT TO CHANGE WITHOUT PRIOR NOTICE - Whilst every effort has been made to ensure the accuracy of the information supplied herein, Burnett & Hillman cannot be held responsible for any errors or omissions (E&OE)