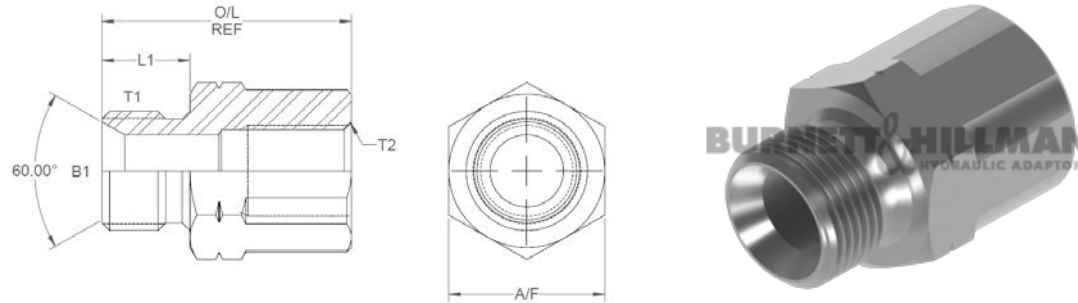
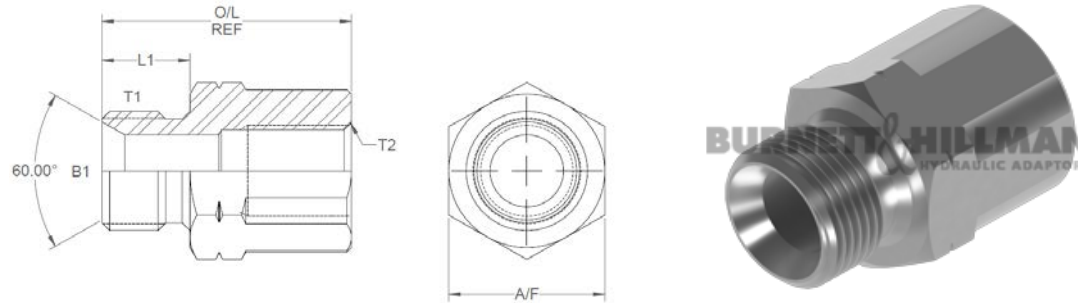


All dimensions are imperial unless stated.



	T1	T2	B1	L1	O/L	A/F
19803	1/4	M12 x 1.5	0.185	0.45	1.275	19mm
19804	1/4	M14 x 1.5	0.185	0.45	1.275	19mm
19800	1/2	M16 x 1.5	0.437	0.6	1.7	27mm
19801	1/2	M22 x 1.5	0.437	0.6	1.7	27mm
19802	3/4	M22 x 1.5	0.659	0.75	1.8	32mm

A/F dimensions are imperial unless stated.



	T1	T2	B1	L1	O/L	A/F
19803	1/4	M12 x 1.5	4.7	11.43	32.39	19mm
19804	1/4	M14 x 1.5	4.7	11.43	32.39	19mm
19800	1/2	M16 x 1.5	11.1	15.24	43.18	27mm
19801	1/2	M22 x 1.5	11.1	15.24	43.18	27mm
19802	3/4	M22 x 1.5	16.74	19.05	45.72	32mm