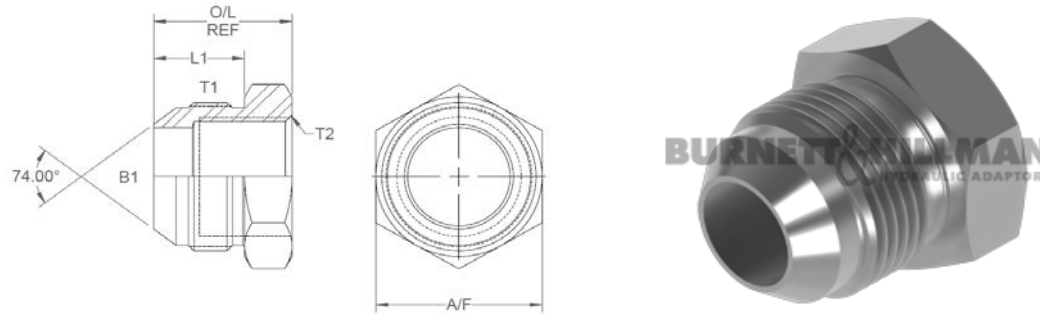
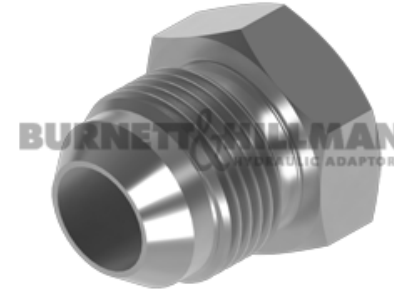
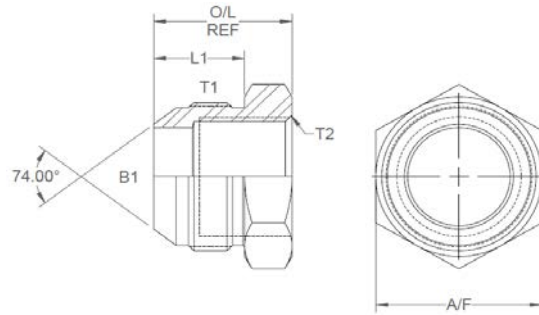


All dimensions are imperial unless stated.



	T1	T2	B1	L1	O/L	A/F
17040	9/16	1/8	0.297	0.556	0.84	0.625
17041	3/4	1/8	0.344	0.657	0.94	22mm
17022	1-5/8	1/2	0.75	0.958	1.458	1.75
17042	1-5/8	1	1.078	0.958	1.458	1.75
17023	0	0	0	0	0	0
17024	2-1/2	1/2	0.75	1.333	2.05	65mm
17021	0	0	0	0	0	0

A/F dimensions are imperial unless stated.



	T1	T2	B1	L1	O/L	A/F
17040	9/16	1/8	7.54	14.12	21.34	0.625
17041	3/4	1/8	8.74	16.69	23.88	22mm
17022	1-5/8	1/2	19.05	24.33	37.03	1.75
17042	1-5/8	1	27.38	24.33	37.03	1.75
17023	0	0	0	0	0	0
17024	2-1/2	1/2	19.05	33.86	52.07	65mm
17021	0	0	0	0	0	0