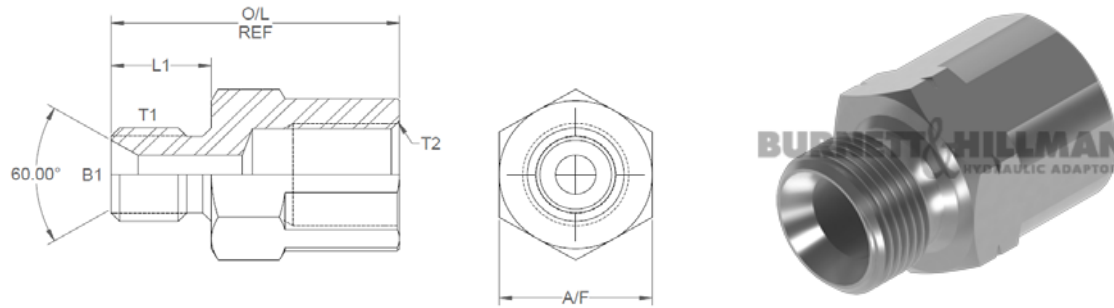


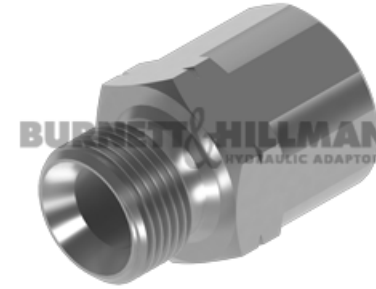
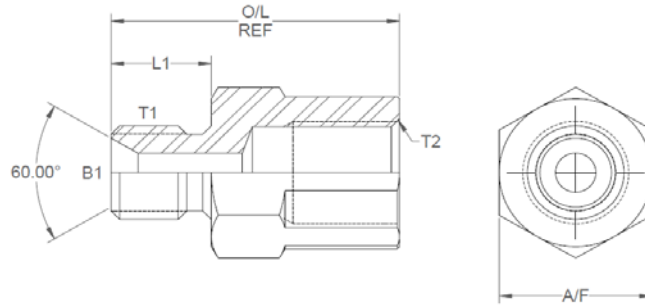
All dimensions are imperial unless stated.



	T1	T2	B1	L1	O/L	A/F
17471	M12 x 1.5	1/4	0.197	0.49	1.41	19mm
17456	M12 x 1.5	3/8	0.197	0.49	1.41	22mm
17457	M12 x 1.5	1/2	0.197	0.49	1.58	27mm
17458	M16 x 1.5	3/8	0.375	0.52	1.44	22mm
17455	M16 x 1.5	1/2	0.375	0.52	1.6	27mm
17459	M18 x 1.5	1/4	0.437	0.52	1.43	24mm
17465	M18 x 1.5	3/8	0.437	0.52	1.435	24mm
17473	M20 x 1.5	1/2	0.5	0.52	1.6	27mm
17460	M22 x 1.5	1/2	0.562	0.54	1.53	27mm

DESIGN DETAILS AND SPECIFICATIONS SUBJECT TO CHANGE WITHOUT PRIOR NOTICE - Whilst every effort has been made to ensure the accuracy of the information supplied herein, Burnett & Hillman cannot be held responsible for any errors or omissions (E&OE)

A/F dimensions are imperial unless stated.



	T1	T2	B1	L1	O/L	A/F
17471	M12 x 1.5	1/4	5	12.45	1.41	19mm
17456	M12 x 1.5	3/8	5	12.45	1.41	22mm
17457	M12 x 1.5	1/2	5	12.45	1.58	27mm
17458	M16 x 1.5	3/8	9.53	13.21	1.44	22mm
17455	M16 x 1.5	1/2	9.53	13.21	1.6	27mm
17459	M18 x 1.5	1/4	11.1	13.21	1.43	24mm
17465	M18 x 1.5	3/8	11.1	13.21	1.435	24mm
17473	M20 x 1.5	1/2	12.7	13.21	1.6	27mm
17460	M22 x 1.5	1/2	14.27	13.72	1.53	27mm

DESIGN DETAILS AND SPECIFICATIONS SUBJECT TO CHANGE WITHOUT PRIOR NOTICE - Whilst every effort has been made to ensure the accuracy of the information supplied herein, Burnett & Hillman cannot be held responsible for any errors or omissions (E&OE)