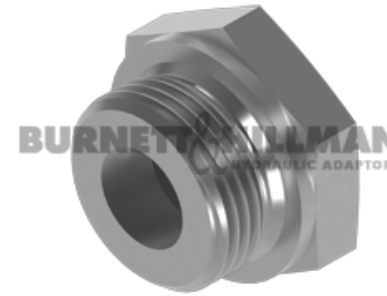
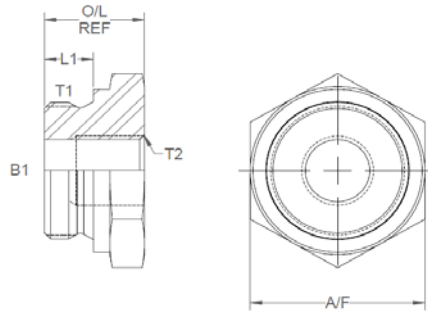


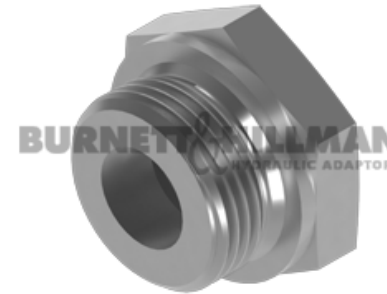
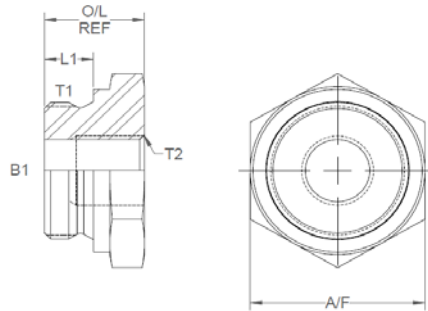
All dimensions are imperial unless stated.



	T1	T2	B1	L1	O/L	A/F
17450	M16 x 1.5	1/8	0.344	0.354	0.669	22mm
17454	M18 x 1.5	1/4	0.465	0.354	0.688	24mm
17462	M20 x 1.5	1/4	0.465	0.354	0.688	27mm
17463	M22 x 1.5	1/8	0.344	0.354	0.708	27mm
17451	M22 x 1.5	1/4	0.465	0.354	0.708	27mm
17452	M22 x 1.5	3/8	0.6	0.354	0.708	27mm
17470	M24 x 1.5	1/4	0.465	0.354	0.708	30mm
17461	M26 x 1.5	1/4	0.465	0.354	0.708	32mm
17464	M26 x 1.5	3/8	0.6	0.354	0.708	32mm
17467	M30 x 1.5	1/2	0.75	0.63	1.1	1.5

DESIGN DETAILS AND SPECIFICATIONS SUBJECT TO CHANGE WITHOUT PRIOR NOTICE - Whilst every effort has been made to ensure the accuracy of the information supplied herein, Burnett & Hillman cannot be held responsible for any errors or omissions (E&OE)

A/F dimensions are imperial unless stated.



	T1	T2	B1	L1	O/L	A/F
17450	M16 x 1.5	1/8	8.74	8.99	16.99	22mm
17454	M18 x 1.5	1/4	11.81	8.99	17.48	24mm
17462	M20 x 1.5	1/4	11.81	8.99	17.48	27mm
17463	M22 x 1.5	1/8	8.74	8.99	17.98	27mm
17451	M22 x 1.5	1/4	11.81	8.99	17.98	27mm
17452	M22 x 1.5	3/8	15.24	8.99	17.98	27mm
17470	M24 x 1.5	1/4	11.81	8.99	17.98	30mm
17461	M26 x 1.5	1/4	11.81	8.99	17.98	32mm
17464	M26 x 1.5	3/8	15.24	8.99	17.98	32mm
17467	M30 x 1.5	1/2	19.05	16	27.94	1.5