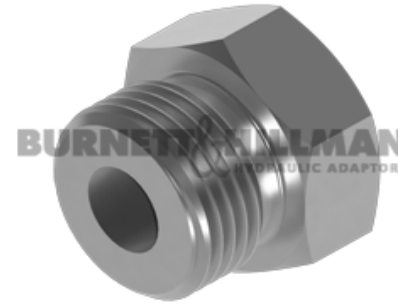
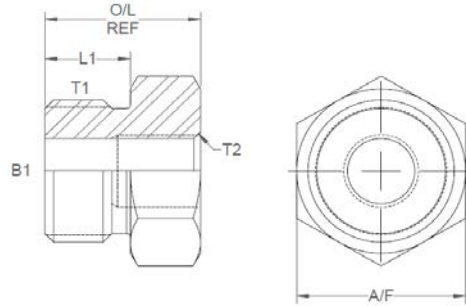


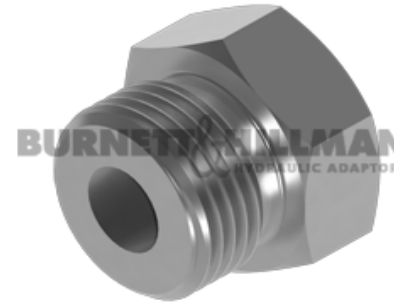
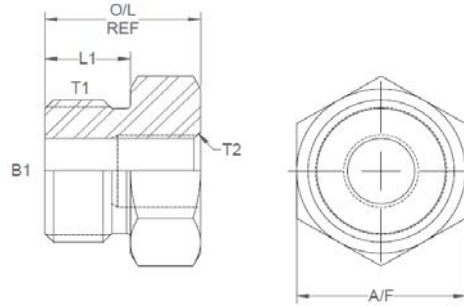
All dimensions are imperial unless stated.



	T1	T2	B1	L1	O/L	A/F
09153-02B	3/4	1/8	0.344	0.438	0.8	22mm
09156-06B	1-3/16	3/8	0.6	0.594	1.09	1.375
09157-04B	1-5/16	1/4	0.87	0.594	1.12	1.5
09157-06B	1-5/16	3/8	0.6	0.594	1.12	1.5
09157-08B	1-5/16	1/2	0.75	0.594	1.12	1.5
09158-12B	1-5/8	3/4	0.964	0.594	1.2	46mm

DESIGN DETAILS AND SPECIFICATIONS SUBJECT TO CHANGE WITHOUT PRIOR NOTICE - Whilst every effort has been made to ensure the accuracy of the information supplied herein, Burnett & Hillman cannot be held responsible for any errors or omissions (E&OE)

A/F dimensions are imperial unless stated.



	T1	T2	B1	L1	O/L	A/F
09153-02B	3/4	1/8	8.74	11.13	20.32	22mm
09156-06B	1-3/16	3/8	15.24	15.09	27.69	1.375
09157-04B	1-5/16	1/4	22.1	15.09	28.45	1.5
09157-06B	1-5/16	3/8	15.24	15.09	28.45	1.5
09157-08B	1-5/16	1/2	19.05	15.09	28.45	1.5
09158-12B	1-5/8	3/4	24.49	15.09	30.48	46mm

DESIGN DETAILS AND SPECIFICATIONS SUBJECT TO CHANGE WITHOUT PRIOR NOTICE - Whilst every effort has been made to ensure the accuracy of the information supplied herein, Burnett & Hillman cannot be held responsible for any errors or omissions (E&OE)