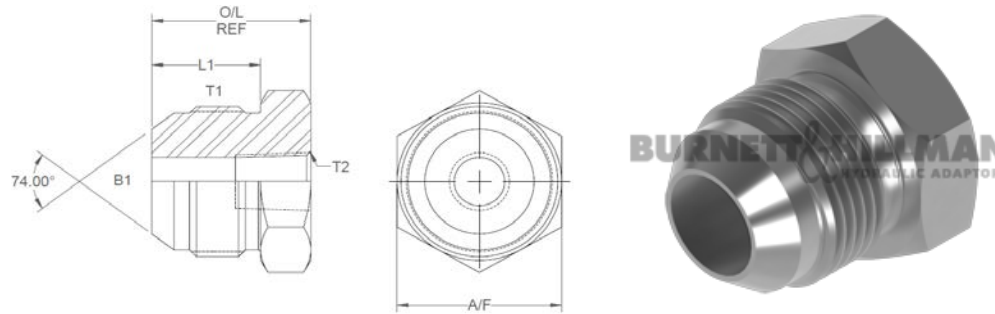
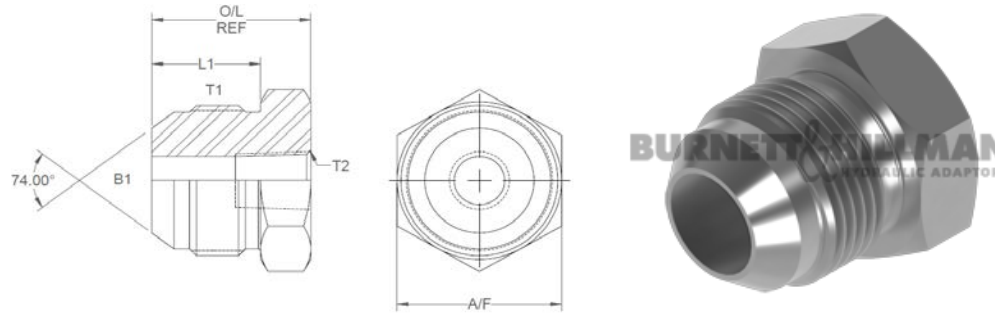


All dimensions are imperial unless stated.



	T1	T2	B1	L1	O/L	A/F
17153	0	0	0	0	0	0
17150	1-5/16	1/4	0.421	0.911	1.328	1.375
17151	1-5/8	3/4	1.078	0.958	1.46	1.68
17152	1-7/8	1	1.122	1.083	1.64	2.05

A/F dimensions are imperial unless stated.



	T1	T2	B1	L1	O/L	A/F
17153	0	0	0	0	0	0
17150	1-5/16	1/4	10.69	23.14	33.73	1.375
17151	1-5/8	3/4	27.38	24.33	37.08	1.68
17152	1-7/8	1	28.5	27.51	41.66	2.05