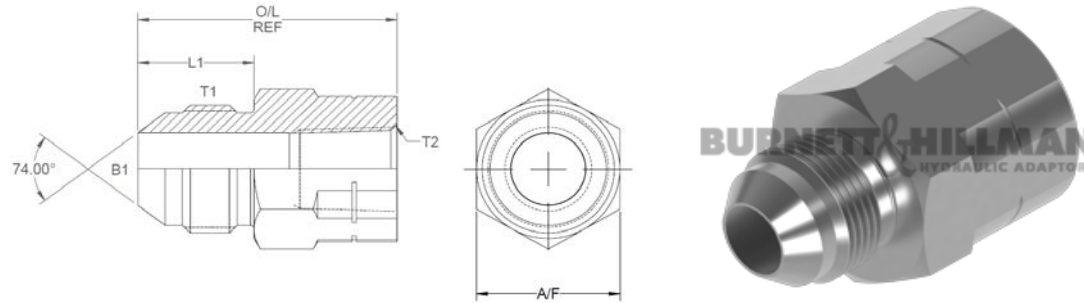


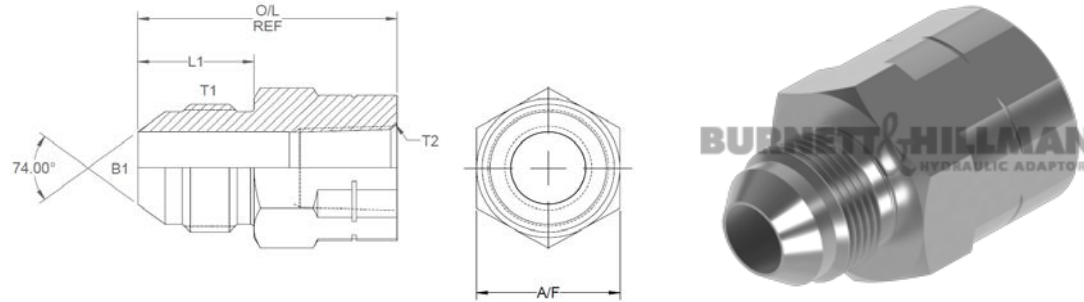
All dimensions are imperial unless stated.



	T1	T2	B1	L1	O/L	A/F
16261	7/16	1/8	0.172	0.55	1.18	0.625
16250	7/16	1/4	0.172	0.55	1.36	19mm
16249	7/16	3/8	0.172	0.55	1.46	22mm
16251	9/16	1/4	0.297	0.556	1.366	19mm
16257	9/16	3/8	0.297	0.556	1.466	22mm
16258	9/16	1/2	0.297	0.556	1.636	1.01
16248	3/4	1/4	0.391	0.657	1.467	0.812
16256	3/4	3/8	0.391	0.657	1.567	22mm
16252	3/4	1/2	0.391	0.657	1.737	27mm
16247	3/4	3/4	0.391	0.657	2.007	32mm
16253	7/8	1/2	0.484	0.758	1.848	27mm
16254	1-1/16	3/4	0.609	0.864	2.214	32mm
16265	1-1/16	1	0.609	0.864	2.3	41mm
16255	1-5/16	1	0.844	0.911	2.771	41mm
16260	1-5/8	1-1/4	1.078	0.958	2.558	50mm
16263	1-7/8	1-1/2	1.312	1.083	2.683	55mm
16259	2-1/2	2	1.781	1.333	3.133	70mm

DESIGN DETAILS AND SPECIFICATIONS SUBJECT TO CHANGE WITHOUT PRIOR NOTICE - Whilst every effort has been made to ensure the accuracy of the information supplied herein, Burnett & Hillman cannot be held responsible for any errors or omissions (E&OE)

A/F dimensions are imperial unless stated.



	T1	T2	B1	L1	O/L	A/F
16261	7/16	1/8	4.37	13.97	29.97	0.625
16250	7/16	1/4	4.37	13.97	34.54	19mm
16249	7/16	3/8	4.37	13.97	37.08	22mm
16251	9/16	1/4	7.54	14.12	34.7	19mm
16257	9/16	3/8	7.54	14.12	37.24	22mm
16258	9/16	1/2	7.54	14.12	41.55	1.01
16248	3/4	1/4	9.93	16.69	37.26	0.812
16256	3/4	3/8	9.93	16.69	39.8	22mm
16252	3/4	1/2	9.93	16.69	44.12	27mm
16247	3/4	3/4	9.93	16.69	50.98	32mm
16253	7/8	1/2	12.29	19.25	46.94	27mm
16254	1-1/16	3/4	15.47	21.95	56.24	32mm
16265	1-1/16	1	15.47	21.95	58.42	41mm
16255	1-5/16	1	21.44	23.14	70.38	41mm
16260	1-5/8	1-1/4	27.38	24.33	64.97	50mm
16263	1-7/8	1-1/2	33.32	27.51	68.15	55mm
16259	2-1/2	2	45.24	33.86	79.58	70mm

DESIGN DETAILS AND SPECIFICATIONS SUBJECT TO CHANGE WITHOUT PRIOR NOTICE - Whilst every effort has been made to ensure the accuracy of the information supplied herein, Burnett & Hillman cannot be held responsible for any errors or omissions (E&OE)