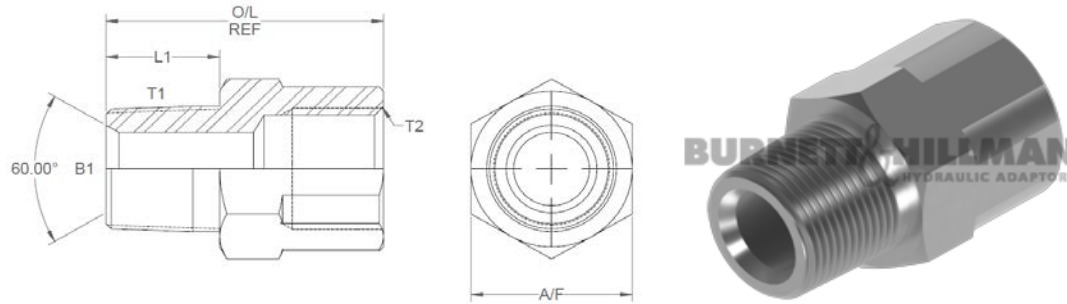


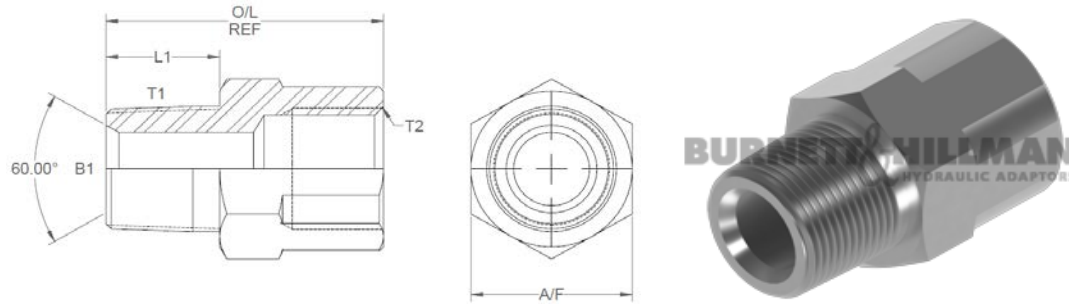
All dimensions are imperial unless stated.



	T1	T2	B1	L1	O/L	A/F
16170	1/8	1/8	0.188	0.38	1.08	14mm
16178	1/8	1/4	0.188	0.38	1.2	19mm
16171	1/4	1/4	0.25	0.56	1.49	19mm
16173	3/8	3/8	0.375	0.56	1.46	22mm
16172	1/2	3/8	0.5	0.75	1.5	22mm
16174	1/2	1/2	0.5	0.75	1.83	27mm
16175	3/4	3/4	0.625	0.75	2.04	32mm
16176	1	1	0.843	0.97	2.42	41mm
16169	1-1/4	1-1/4	1.203	0.97	2.59	50mm
16366	1-1/2	1-1/4	1.312	1	2.62	50mm
16179	1-1/2	1-1/2	1.312	1	2.62	55mm
16177	2	2	1.812	1.05	2.834	70mm
02-FX-40N40G	2-1/2	2-1/2	2.25	1.52	3.76	90mm

DESIGN DETAILS AND SPECIFICATIONS SUBJECT TO CHANGE WITHOUT PRIOR NOTICE - Whilst every effort has been made to ensure the accuracy of the information supplied herein, Burnett & Hillman cannot be held responsible for any errors or omissions (E&OE)

A/F dimensions are imperial unless stated.



	T1	T2	B1	L1	O/L	A/F
16170	1/8	1/8	4.78	9.65	27.43	14mm
16178	1/8	1/4	4.78	9.65	30.48	19mm
16171	1/4	1/4	6.35	14.22	37.85	19mm
16173	3/8	3/8	9.53	14.22	37.08	22mm
16172	1/2	3/8	12.7	19.05	38.1	22mm
16174	1/2	1/2	12.7	19.05	46.48	27mm
16175	3/4	3/4	15.88	19.05	51.82	32mm
16176	1	1	21.41	24.64	61.47	41mm
16169	1-1/4	1-1/4	30.56	24.64	65.79	50mm
16366	1-1/2	1-1/4	33.32	25.4	66.55	50mm
16179	1-1/2	1-1/2	33.32	25.4	66.55	55mm
16177	2	2	46.02	26.67	71.98	70mm
02-FX-40N40G	2-1/2	2-1/2	57.15	38.61	95.5	90mm

DESIGN DETAILS AND SPECIFICATIONS SUBJECT TO CHANGE WITHOUT PRIOR NOTICE - Whilst every effort has been made to ensure the accuracy of the information supplied herein, Burnett & Hillman cannot be held responsible for any errors or omissions (E&OE)