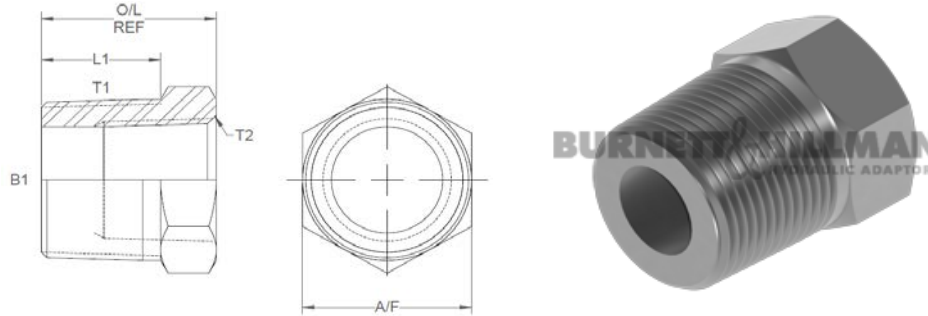


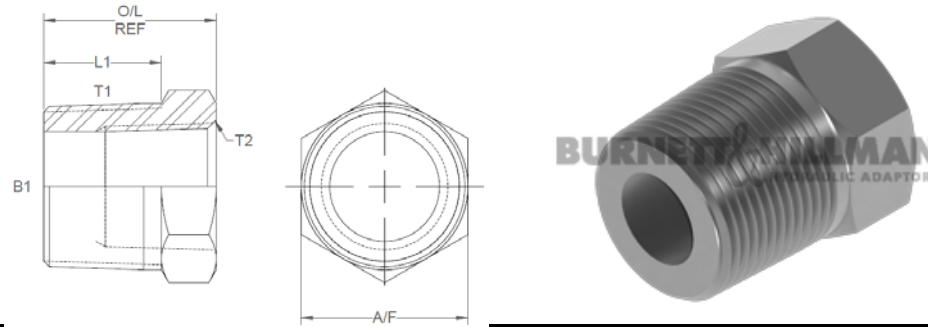
All dimensions are imperial unless stated.



	T1	T2	B1	L1	O/L	A/F
01001	1/4	1/8	0.34	0.56	0.76	0.562
01002	3/8	1/8	0.34	0.56	0.785	0.687
01003	3/8	1/4	0.437	0.56	0.785	0.687
01018	1/2	1/8	0.34	0.75	0.98	22mm
01004	1/2	1/4	0.437	0.75	0.98	22mm
01005	1/2	3/8	0.561	0.75	0.98	22mm
01032	3/4	1/8	0.34	0.75	1.1	27mm
01006	3/4	1/4	0.437	0.75	1.1	27mm
01007	3/4	3/8	0.563	0.75	1.1	27mm
01008	3/4	1/2	0.689	0.75	1.1	27mm
01022	1	1/4	0.437	0.97	1.37	1.375
01011	1	3/8	0.563	0.97	1.37	1.375
01009	1	1/2	0.7	0.97	1.37	1.375
01010	1	3/4	0.896	0.97	1.37	1.375
01023	1-1/4	1/4	0.437	0.97	1.47	1.75
01025	1-1/4	3/8	0.563	0.97	1.47	46mm
01026	1-1/4	1/2	0.689	0.97	1.47	1.75
01019	1-1/4	3/4	0.896	0.97	1.47	1.75
01012	1-1/4	1	1.122	0.97	1.47	1.75
01024	1-1/2	1/4	0.437	1	1.53	50mm

DESIGN DETAILS AND SPECIFICATIONS SUBJECT TO CHANGE WITHOUT PRIOR NOTICE - Whilst every effort has been made to ensure the accuracy of the information supplied herein, Burnett & Hillman cannot be held responsible for any errors or omissions (E&OE)

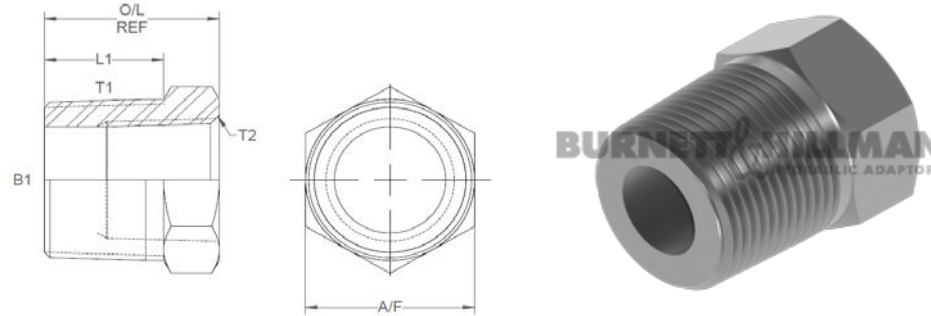
All dimensions are imperial unless stated.



	T1	T2	B1	L1	O/L	A/F
01027	1-1/2	3/8	0.563	1	1.53	50mm
01028	1-1/2	1/2	0.7	1	1.53	50mm
01013	1-1/2	3/4	0.896	1	1.53	50mm
01015	1-1/2	1	1.122	1	1.53	50mm
01021	1-1/2	1-1/4	1.476	1	1.53	50mm
01031	2	1/4	0.437	1.03	1.73	65mm
01035	2	3/8	0.561	1.03	1.73	65mm
01030	2	1/2	0.689	1.03	1.73	65mm
01029	2	3/4	0.896	1.03	1.73	65mm
01014	2	1	1.122	1.03	1.73	65mm
01017	2	1-1/4	1.476	1.03	1.73	65mm
01016	2	1-1/2	1.712	1.03	1.73	65mm
01038	2-1/2	1-1/4	1.476	1.52	2.16	3.25
01033	2-1/2	2	2.165	1.52	2.16	3.25
01037	3	1-1/4	1.476	1.633	2.353	90mm
01036	3	2	2.165	1.633	2.353	90mm

DESIGN DETAILS AND SPECIFICATIONS SUBJECT TO CHANGE WITHOUT PRIOR NOTICE - Whilst every effort has been made to ensure the accuracy of the information supplied herein, Burnett & Hillman cannot be held responsible for any errors or omissions (E&OE)

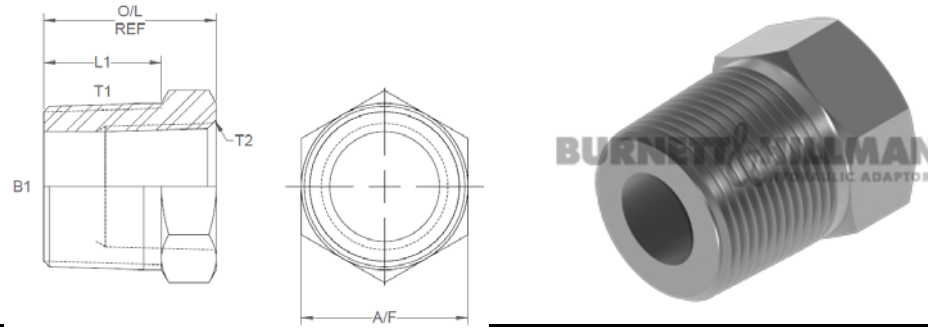
A/F dimensions are imperial unless stated.



	T1	T2	B1	L1	O/L	A/F
01001	1/4	1/8	8.64	14.22	19.3	0.562
01002	3/8	1/8	8.64	14.22	19.94	0.687
01003	3/8	1/4	11.1	14.22	19.94	0.687
01018	1/2	1/8	8.64	19.05	24.89	22mm
01004	1/2	1/4	11.1	19.05	24.89	22mm
01005	1/2	3/8	14.25	19.05	24.89	22mm
01032	3/4	1/8	8.64	19.05	27.94	27mm
01006	3/4	1/4	11.1	19.05	27.94	27mm
01007	3/4	3/8	14.3	19.05	27.94	27mm
01008	3/4	1/2	17.5	19.05	27.94	27mm
01022	1	1/4	11.1	24.64	34.8	1.375
01011	1	3/8	14.3	24.64	34.8	1.375
01009	1	1/2	17.78	24.64	34.8	1.375
01010	1	3/4	22.76	24.64	34.8	1.375
01023	1-1/4	1/4	11.1	24.64	37.34	1.75
01025	1-1/4	3/8	14.3	24.64	37.34	46mm
01026	1-1/4	1/2	17.5	24.64	37.34	1.75
01019	1-1/4	3/4	22.76	24.64	37.34	1.75
01012	1-1/4	1	28.5	24.64	37.34	1.75
01024	1-1/2	1/4	11.1	25.4	38.86	50mm

DESIGN DETAILS AND SPECIFICATIONS SUBJECT TO CHANGE WITHOUT PRIOR NOTICE - Whilst every effort has been made to ensure the accuracy of the information supplied herein, Burnett & Hillman cannot be held responsible for any errors or omissions (E&OE)

A/F dimensions are imperial unless stated.



	T1	T2	B1	L1	O/L	A/F
01027	1-1/2	3/8	14.3	25.4	38.86	50mm
01028	1-1/2	1/2	17.78	25.4	38.86	50mm
01013	1-1/2	3/4	22.76	25.4	38.86	50mm
01015	1-1/2	1	28.5	25.4	38.86	50mm
01021	1-1/2	1-1/4	37.49	25.4	38.86	50mm
01031	2	1/4	11.1	26.16	43.94	65mm
01035	2	3/8	14.25	26.16	43.94	65mm
01030	2	1/2	17.5	26.16	43.94	65mm
01029	2	3/4	22.76	26.16	43.94	65mm
01014	2	1	28.5	26.16	43.94	65mm
01017	2	1-1/4	37.49	26.16	43.94	65mm
01016	2	1-1/2	43.48	26.16	43.94	65mm
01038	2-1/2	1-1/4	37.49	38.61	54.86	3.25
01033	2-1/2	2	54.99	38.61	54.86	3.25
01037	3	1-1/4	37.49	41.48	59.77	90mm
01036	3	2	54.99	41.48	59.77	90mm

DESIGN DETAILS AND SPECIFICATIONS SUBJECT TO CHANGE WITHOUT PRIOR NOTICE - Whilst every effort has been made to ensure the accuracy of the information supplied herein, Burnett & Hillman cannot be held responsible for any errors or omissions (E&OE)