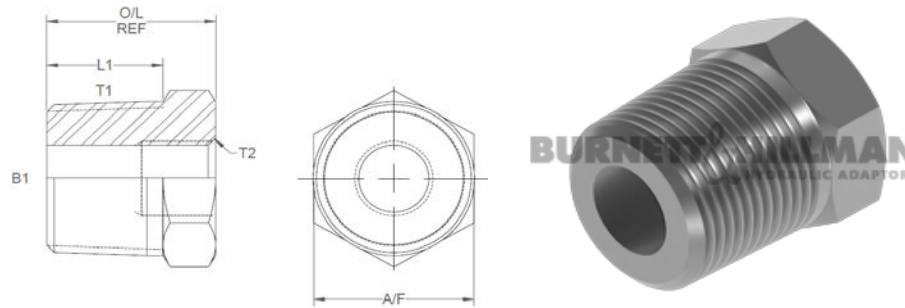
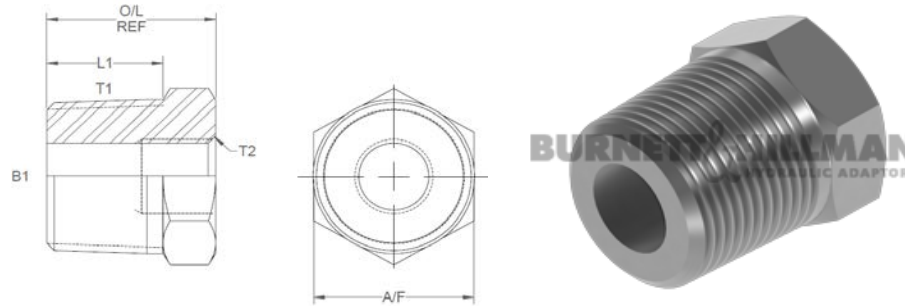


All dimensions are imperial unless stated.



	T1	T2	B1	L1	O/L	A/F
18200	1/4	1/8	0.342	0.58	0.88	14mm
18201	3/8	1/8	0.342	0.59	0.91	0.687
18218	1/2	1/4	0.421	0.87	1.19	22mm
18225	3/4	1/4	0.421	0.77	1.14	27mm
18208	3/4	3/8	0.578	0.77	1.12	27mm
18204	3/4	1/2	0.708	0.77	1.12	27mm
18209	1	1/4	0.421	0.99	1.49	1.375
18228	1	1/2	0.687	0.99	1.49	1.375
18212	1	3/4	0.896	1.08	1.58	1.375
18215	1-1/2	3/4	0.896	1.17	1.72	50mm
18210	1-1/2	1	1.122	1.17	1.72	50mm
18216	2	3/4	0.896	1.18	1.83	65mm
18229	2	1	1.122	1.18	1.83	65mm
18223	2	1-1/4	1.476	1.18	1.83	65mm
18213	2	1-1/2	1.728	1.18	1.83	65mm
18203	2-1/2	2	2.165	1.55	2.2	3.25
18230	3	2	2.165	1.562	2.24	90mm

A/F dimensions are imperial unless stated.



	T1	T2	B1	L1	O/L	A/F
18200	1/4	1/8	8.69	14.73	22.35	14mm
18201	3/8	1/8	8.69	14.99	23.11	0.687
18218	1/2	1/4	10.69	22.1	30.23	22mm
18225	3/4	1/4	10.69	19.56	28.96	27mm
18208	3/4	3/8	14.68	19.56	28.45	27mm
18204	3/4	1/2	17.98	19.56	28.45	27mm
18209	1	1/4	10.69	25.15	37.85	1.375
18228	1	1/2	17.45	25.15	37.85	1.375
18222	1	3/4	12.7	19.56	47.5	1.375
18215	1-1/2	3/4	22.76	29.72	43.69	50mm
18210	1-1/2	1	28.5	29.72	43.69	50mm
18216	2	3/4	22.76	29.97	46.48	65mm
18229	2	1	28.5	29.97	46.48	65mm
18223	2	1-1/4	37.49	29.97	46.48	65mm
18213	2	1-1/2	43.89	29.97	46.48	65mm
18203	2-1/2	2	54.99	39.37	55.88	3.25
18230	3	2	54.99	39.67	56.9	90mm