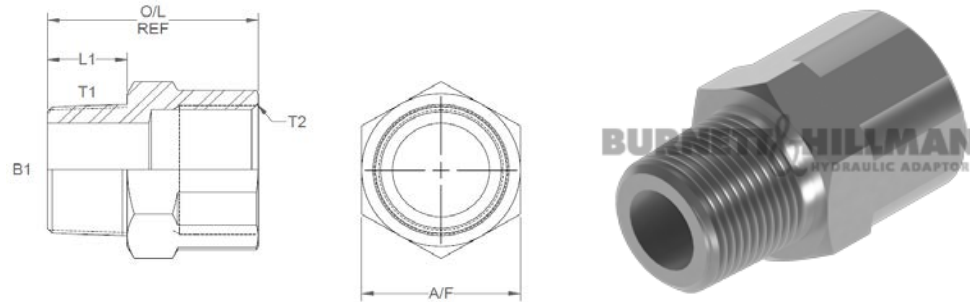


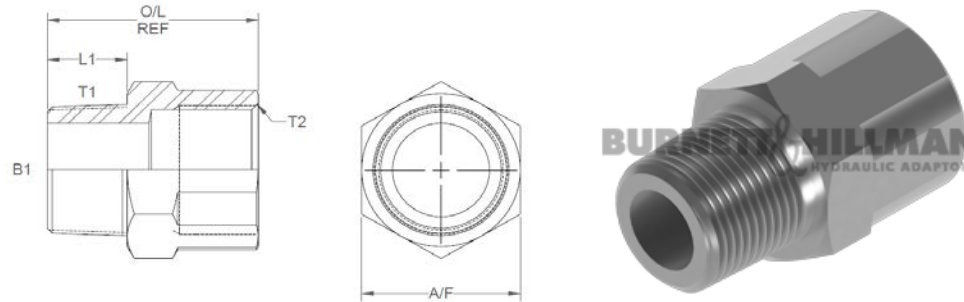
All dimensions are imperial unless stated.



	T1	T2	B1	L1	O/L	A/F
16119	1/8	1/4	0.187	0.4	1.23	19mm
16135	1/4	1/8	0.25	0.64	1.27	19mm
16120	1/4	1/4	0.25	0.58	1.4	19mm
16118	1/4	1/2	0.25	0.64	1.72	1.01
16129	3/8	3/8	0.375	0.59	1.5	22mm
16114	3/8	1/2	0.375	0.59	1.67	27mm
16139	1/2	3/8	0.5	0.76	1.51	22mm
16130	1/2	1/2	0.5	0.76	1.84	27mm
16131	3/4	3/4	0.687	0.87	2.17	32mm
16132	1	1	0.875	0.99	2.44	41mm
16133	1-1/4	1-1/4	1.203	1	2.625	50mm
16138	1-1/2	1-1/4	1.312	1.17	2.88	50mm
16134	1-1/2	1-1/2	1.312	1.17	2.79	55mm
16140	2	2	1.812	1.18	2.93	70mm

DESIGN DETAILS AND SPECIFICATIONS SUBJECT TO CHANGE WITHOUT PRIOR NOTICE - Whilst every effort has been made to ensure the accuracy of the information supplied herein, Burnett & Hillman cannot be held responsible for any errors or omissions (E&OE)

A/F dimensions are imperial unless stated.



	T1	T2	B1	L1	O/L	A/F
16119	1/8	1/4	4.75	10.16	31.24	19mm
16135	1/4	1/8	6.35	16.26	32.26	19mm
16120	1/4	1/4	6.35	14.73	35.56	19mm
16118	1/4	1/2	6.35	16.26	43.69	1.01
16129	3/8	3/8	9.53	14.99	38.1	22mm
16114	3/8	1/2	9.53	14.99	42.42	27mm
16139	1/2	3/8	12.7	19.3	38.35	22mm
16130	1/2	1/2	12.7	19.3	46.74	27mm
16131	3/4	3/4	17.45	22.1	55.12	32mm
16132	1	1	22.23	25.15	61.98	41mm
16133	1-1/4	1-1/4	30.56	25.4	66.68	50mm
16138	1-1/2	1-1/4	33.32	29.72	73.15	50mm
16134	1-1/2	1-1/2	33.32	29.72	70.87	55mm
16140	2	2	46.02	29.97	74.42	70mm