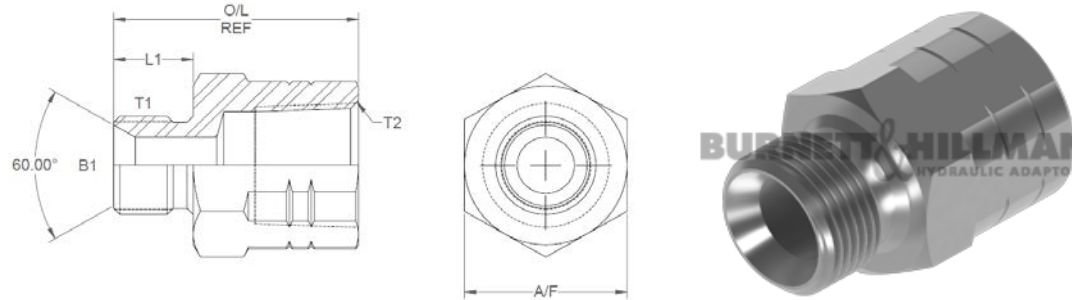


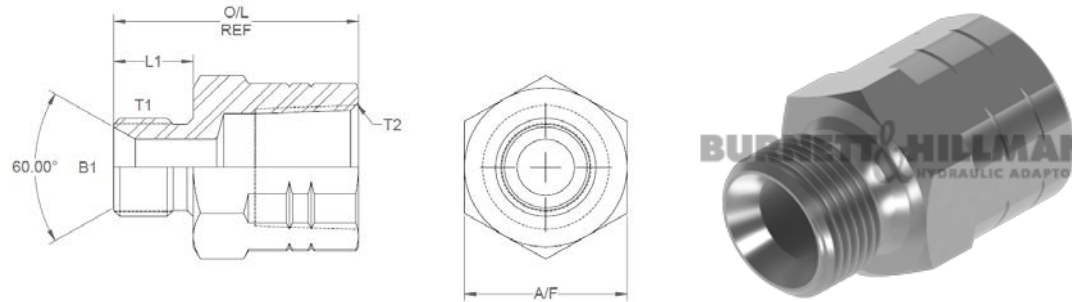
All dimensions are imperial unless stated.



	T1	T2	B1	L1	O/L	A/F
16091	1/4	1/8	0.185	0.45	1.26	19mm
16090	1/4	1/4	0.185	0.45	1.26	19mm
16108	1/4	3/8	0.25	0.45	1.36	22mm
16092	3/8	1/4	0.375	0.52	1.43	22mm
16093	3/8	3/8	0.312	0.52	1.43	22mm
16089	3/8	1/2	0.375	0.52	1.6	27mm
16106	1/2	3/8	0.5	0.6	1.68	27mm
16094	1/2	1/2	0.437	0.6	1.68	27mm
16102	3/4	1/2	0.625	0.75	1.97	32mm
16095	3/4	3/4	0.625	0.75	2.1	32mm
16103	3/4	1	0.687	0.75	2.25	41mm
16107	1	3/4	0.875	0.8	2.3	41mm
16096	1	1	0.875	0.8	2.3	41mm
16097	1-1/4	1-1/4	1.203	0.8	2.4	50mm
16098	1-1/2	1-1/2	1.312	0.85	2.55	55mm
16101	2	2	1.812	1	2.74	70mm

DESIGN DETAILS AND SPECIFICATIONS SUBJECT TO CHANGE WITHOUT PRIOR NOTICE - Whilst every effort has been made to ensure the accuracy of the information supplied herein, Burnett & Hillman cannot be held responsible for any errors or omissions (E&OE)

A/F dimensions are imperial unless stated.



	T1	T2	B1	L1	O/L	A/F
16091	1/4	1/8	4.7	11.43	32	19mm
16090	1/4	1/4	4.7	11.43	32	19mm
16108	1/4	3/8	6.35	11.43	34.54	22mm
16092	3/8	1/4	9.53	13.21	36.32	22mm
16093	3/8	3/8	7.92	13.21	36.32	22mm
16089	3/8	1/2	9.53	13.21	40.64	27mm
16106	1/2	3/8	12.7	15.24	42.67	27mm
16094	1/2	1/2	11.1	15.24	42.67	27mm
16102	3/4	1/2	15.88	19.05	50.04	32mm
16095	3/4	3/4	15.88	19.05	53.34	32mm
16103	3/4	1	17.45	19.05	57.15	41mm
16107	1	3/4	22.23	20.32	58.42	41mm
16096	1	1	22.23	20.32	58.42	41mm
16097	1-1/4	1-1/4	30.56	20.32	60.96	50mm
16098	1-1/2	1-1/2	33.32	21.59	64.77	55mm
16101	2	2	46.02	25.4	69.6	70mm

DESIGN DETAILS AND SPECIFICATIONS SUBJECT TO CHANGE WITHOUT PRIOR NOTICE - Whilst every effort has been made to ensure the accuracy of the information supplied herein, Burnett & Hillman cannot be held responsible for any errors or omissions (E&OE)