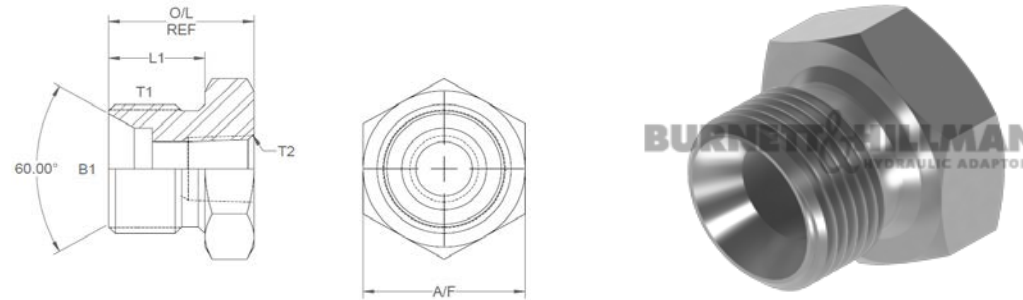


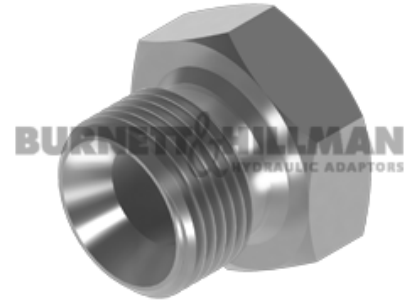
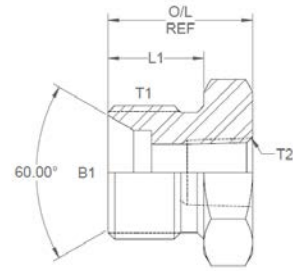
All dimensions are imperial unless stated.



	T1	T2	B1	L1	O/L	A/F
16501	3/8	1/8	0.343	0.52	0.83	22mm
16500	1/2	1/8	0.437	0.6	0.97	27mm
16502	1/2	1/4	0.437	0.6	0.97	27mm
16507	3/4	1/4	0.659	0.75	1.13	32mm
16508	3/4	3/8	0.659	0.75	1.13	32mm
16505	1	1/8	0.875	0.8	1.28	41mm
16511	1	1/4	0.875	0.8	1.28	41mm
16512	1	3/8	0.875	0.8	1.28	41mm
16513	1	1/2	0.875	0.8	1.28	41mm
16564	1-1/4	1/4	1.125	0.8	1.3	50mm
16517	1-1/4	1/2	1.125	0.8	1.3	50mm
16518	1-1/4	3/4	1.125	0.8	1.3	50mm
16519	1-1/4	1	1.125	0.8	1.3	50mm
16563	1-1/2	1/2	1.437	0.85	1.39	55mm
16553	1-1/2	3/4	1.437	0.85	1.39	55mm
16525	1-1/2	1	1.437	0.85	1.39	55mm
16555	2	3/8	1.781	1.065	1.765	70mm
16554	2	1/2	1.781	1.065	1.765	70mm
16530	2	3/4	1.781	1.065	1.765	70mm
16561	2	1	1.781	1.065	1.765	70mm

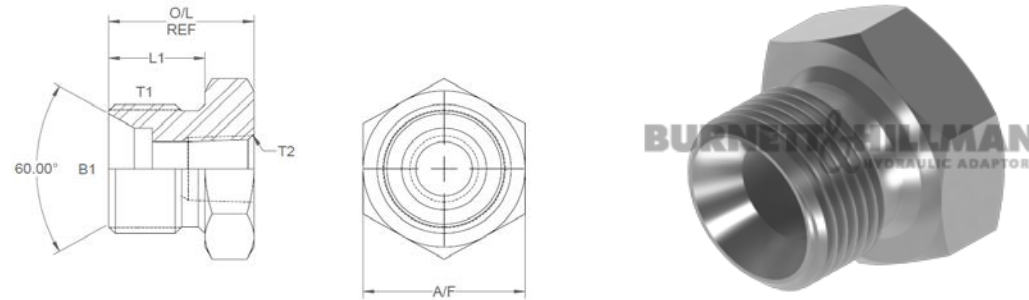
DESIGN DETAILS AND SPECIFICATIONS SUBJECT TO CHANGE WITHOUT PRIOR NOTICE - Whilst every effort has been made to ensure the accuracy of the information supplied herein, Burnett & Hillman cannot be held responsible for any errors or omissions (E&OE)

All dimensions are imperial unless stated.



	T1	T2	B1	L1	O/L	A/F
16565	2	1-1/4	1.781	1.065	1.765	70mm
02-FX-32G24N	2	1-1/2	1.712	1.065	1.765	70mm
16550	2-1/2	1-1/2	2.375	1	1.8	3.25
16551	2-1/2	2	2.205	1	1.8	3.25
16503	3	1-1/2	2.75	1	1.8	95mm
16560	3	2	2.75	1	1.8	95mm

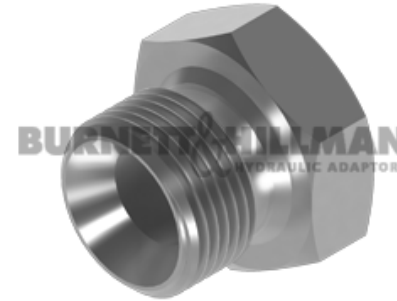
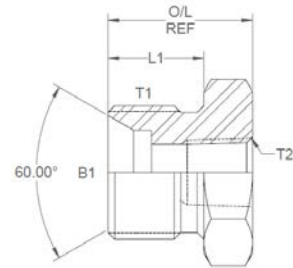
A/F dimensions are imperial unless stated.



	T1	T2	B1	L1	O/L	A/F
16501	3/8	1/8	8.71	13.21	21.08	22mm
16500	1/2	1/8	11.1	15.24	24.64	27mm
16502	1/2	1/4	11.1	15.24	24.64	27mm
16507	3/4	1/4	16.74	19.05	28.7	32mm
16508	3/4	3/8	16.74	19.05	28.7	32mm
16505	1	1/8	22.23	20.32	32.51	41mm
16511	1	1/4	22.23	20.32	32.51	41mm
16512	1	3/8	22.23	20.32	32.51	41mm
16513	1	1/2	22.23	20.32	32.51	41mm
16564	1-1/4	1/4	28.58	20.32	33.02	50mm
16517	1-1/4	1/2	28.58	20.32	33.02	50mm
16518	1-1/4	3/4	28.58	20.32	33.02	50mm
16519	1-1/4	1	28.58	20.32	33.02	50mm
16563	1-1/2	1/2	36.5	21.59	35.31	55mm
16553	1-1/2	3/4	36.5	21.59	35.31	55mm
16525	1-1/2	1	36.5	21.59	35.31	55mm
16555	2	3/8	45.24	27.05	44.83	70mm
16554	2	1/2	45.24	27.05	44.83	70mm
16530	2	3/4	45.24	27.05	44.83	70mm
16561	2	1	45.24	27.05	44.83	70mm

DESIGN DETAILS AND SPECIFICATIONS SUBJECT TO CHANGE WITHOUT PRIOR NOTICE - Whilst every effort has been made to ensure the accuracy of the information supplied herein, Burnett & Hillman cannot be held responsible for any errors or omissions (E&OE)

A/F dimensions are imperial unless stated.



	T1	T2	B1	L1	O/L	A/F
16565	2	1-1/4	45.24	27.05	44.83	70mm
02-FX-32G24N	2	1-1/2	43.48	27.05	44.83	70mm
16550	2-1/2	1-1/2	60.33	25.4	45.72	3.25
16551	2-1/2	2	56.01	25.4	45.72	3.25
16503	3	1-1/2	69.85	25.4	45.72	95mm
16560	3	2	69.85	25.4	45.72	95mm