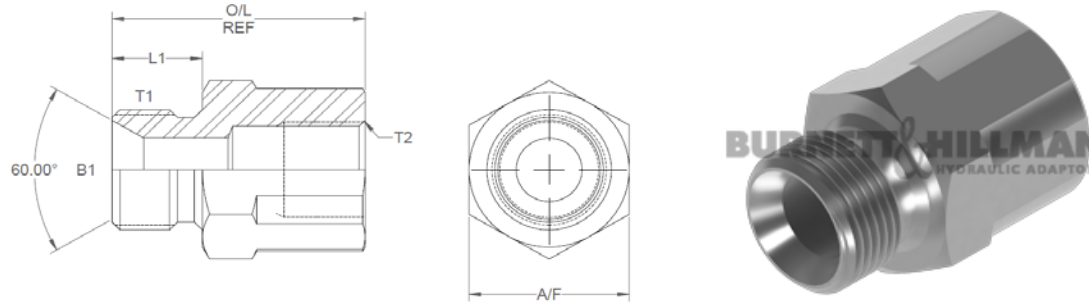


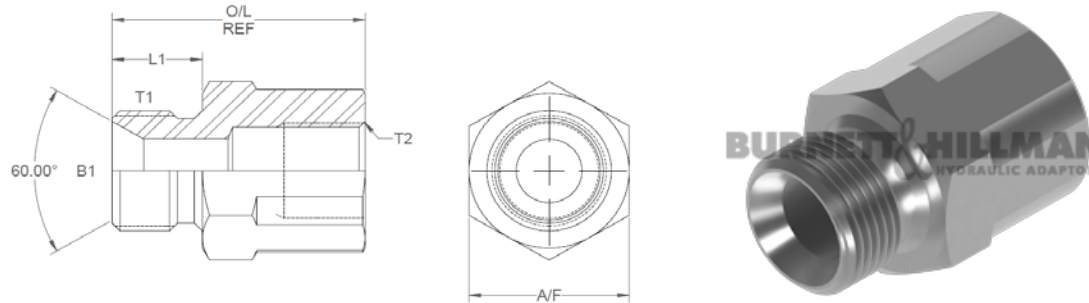
All dimensions are imperial unless stated.



	T1	T2	B1	L1	O/L	A/F
00922	1/8	1/8	0.137	0.44	1.07	14mm
00924	1/8	1/4	0.137	0.44	1.26	19mm
00931	1/8	3/8	0.137	0.44	1.35	22mm
00928	1/8	1/2	0.137	0.44	1.47	27mm
00905	1/4	1/8	0.185	0.45	1.26	19mm
00900	1/4	1/4	0.185	0.45	1.26	19mm
00901	1/4	3/8	0.185	0.45	1.36	22mm
00904	1/4	1/2	0.185	0.45	1.48	27mm
00932	1/4	3/4	0.25	0.45	1.75	32mm
00902	3/8	1/4	0.312	0.52	1.43	22mm
00903	3/8	3/8	0.312	0.52	1.43	22mm
00913	3/8	1/2	0.312	0.52	1.58	27mm
00933	3/8	3/4	0.312	0.52	1.82	32mm
00938	3/8	1	0.375	0.52	1.97	41mm
00906	1/2	3/8	0.437	0.6	1.68	27mm
00907	1/2	1/2	0.437	0.6	1.68	27mm
00918	1/2	3/4	0.437	0.6	1.9	32mm
00929	1/2	1	0.437	0.6	2.05	41mm
00934	1/2	1-1/4	0.437	0.6	2.22	50mm
00908	5/8	1/2	0.562	0.7	1.7	30mm

DESIGN DETAILS AND SPECIFICATIONS SUBJECT TO CHANGE WITHOUT PRIOR NOTICE - Whilst every effort has been made to ensure the accuracy of the information supplied herein, Burnett & Hillman cannot be held responsible for any errors or omissions (E&OE)

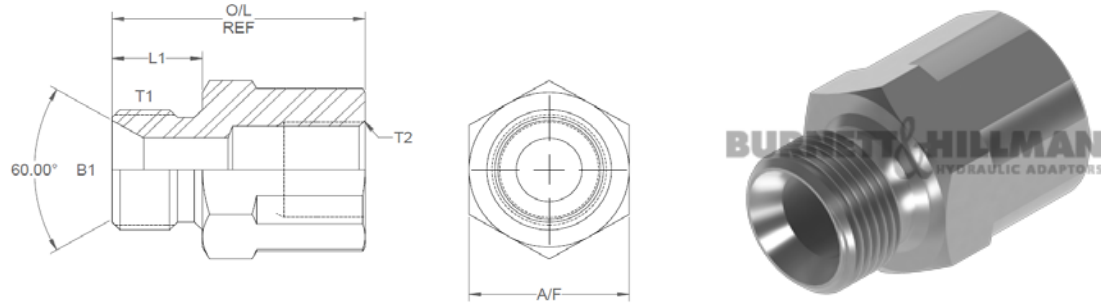
All dimensions are imperial unless stated.



	T1	T2	B1	L1	O/L	A/F
00945	5/8	5/8	0.562	0.7	1.85	30mm
00939	5/8	3/4	0.593	0.7	1.98	32mm
00916	3/4	1/2	0.659	0.75	2	32mm
00925	3/4	5/8	0.625	0.75	1.85	32mm
00909	3/4	3/4	0.659	0.75	2	32mm
00919	3/4	1	0.659	0.75	2.2	41mm
00910	3/4	1-1/4	0.625	0.75	2.37	50mm
00911	3/4	1-1/2	0.659	0.75	2.37	55mm
00920	1	3/4	0.875	0.8	2.25	41mm
00912	1	1	0.875	0.8	2.25	41mm
00923	1	1-1/4	0.875	0.8	2.42	50mm
00927	1	1-1/2	0.875	0.8	2.42	55mm
00936	1	2	0.875	0.8	2.54	70mm
00942	1	3	0.875	0.8	3.02	95mm
00914	1-1/4	1-1/4	1.125	0.8	2.42	50mm
00930	1-1/4	1-1/2	1.125	0.8	2.42	55mm
00937	1-1/4	2	1.125	0.8	2.54	70mm
00921	1-1/2	1-1/4	1.312	0.85	2.47	55mm
00917	1-1/2	1-1/2	1.312	0.85	2.47	55mm
00943	1-1/2	2	1.312	0.85	2.59	70mm

DESIGN DETAILS AND SPECIFICATIONS SUBJECT TO CHANGE WITHOUT PRIOR NOTICE - Whilst every effort has been made to ensure the accuracy of the information supplied herein, Burnett & Hillman cannot be held responsible for any errors or omissions (E&OE)

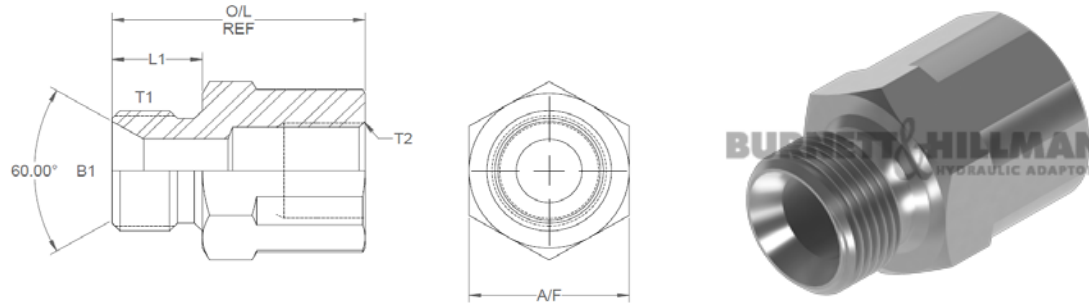
All dimensions are imperial unless stated.



	T1	T2	B1	L1	O/L	A/F
00915	2	2	1.812	1	2.74	30mm
00935	2	2-1/2	1.812	1	3.22	32mm
00944	2	3	1.812	1	3.2	32mm
00926	2-1/2	2-1/2	2.37	1	3.25	32mm

DESIGN DETAILS AND SPECIFICATIONS SUBJECT TO CHANGE WITHOUT PRIOR NOTICE - Whilst every effort has been made to ensure the accuracy of the information supplied herein, Burnett & Hillman cannot be held responsible for any errors or omissions (E&OE)

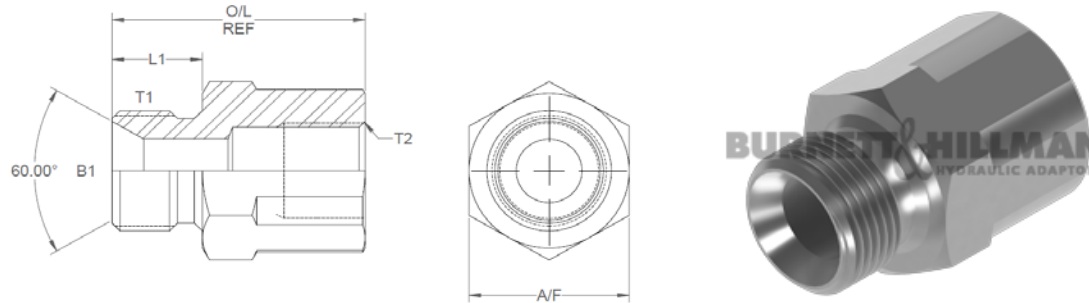
A/F dimensions are imperial unless stated.



	T1	T2	B1	L1	O/L	A/F
00922	1/8	1/8	3.48	11.18	27.18	14mm
00924	1/8	1/4	3.48	11.18	32	19mm
00931	1/8	3/8	3.48	11.18	34.29	22mm
00928	1/8	1/2	3.48	11.18	37.34	27mm
00905	1/4	1/8	4.7	11.43	32	19mm
00900	1/4	1/4	4.7	11.43	32	19mm
00901	1/4	3/8	4.7	11.43	34.54	22mm
00904	1/4	1/2	4.7	11.43	37.59	27mm
00932	1/4	3/4	6.35	11.43	44.45	32mm
00902	3/8	1/4	7.92	13.21	36.32	22mm
00903	3/8	3/8	7.92	13.21	36.32	22mm
00913	3/8	1/2	7.92	13.21	40.13	27mm
00933	3/8	3/4	7.92	13.21	46.23	32mm
00938	3/8	1	9.53	13.21	50.04	41mm
00906	1/2	3/8	11.1	15.24	42.67	27mm
00907	1/2	1/2	11.1	15.24	42.67	27mm
00918	1/2	3/4	11.1	15.24	48.26	32mm
00929	1/2	1	11.1	15.24	52.07	41mm
00934	1/2	1-1/4	11.1	15.24	56.39	50mm
00908	5/8	1/2	14.27	17.78	43.18	30mm

DESIGN DETAILS AND SPECIFICATIONS SUBJECT TO CHANGE WITHOUT PRIOR NOTICE - Whilst every effort has been made to ensure the accuracy of the information supplied herein, Burnett & Hillman cannot be held responsible for any errors or omissions (E&OE)

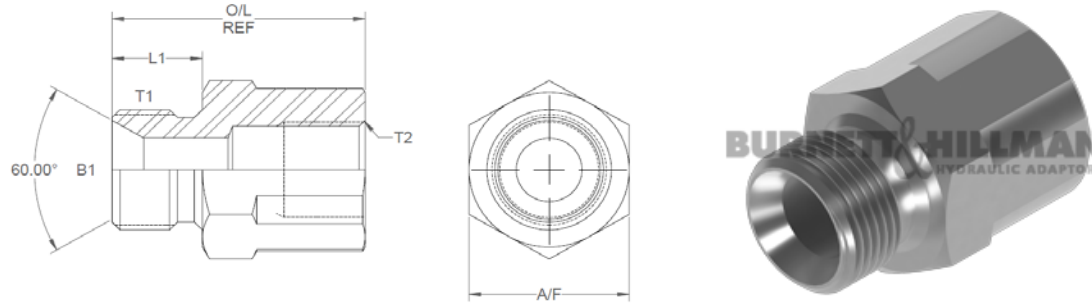
A/F dimensions are imperial unless stated.



	T1	T2	B1	L1	O/L	A/F
00945	5/8	5/8	14.27	17.78	46.99	30mm
00939	5/8	3/4	15.06	17.78	50.29	32mm
00916	3/4	1/2	16.74	19.05	50.8	32mm
00925	3/4	5/8	15.88	19.05	46.99	32mm
00909	3/4	3/4	16.74	19.05	50.8	32mm
00919	3/4	1	16.74	19.05	55.88	41mm
00910	3/4	1-1/4	15.88	19.05	60.2	50mm
00911	3/4	1-1/2	16.74	19.05	60.2	55mm
00920	1	3/4	22.23	20.32	57.15	41mm
00912	1	1	22.23	20.32	57.15	41mm
00923	1	1-1/4	22.23	20.32	61.47	50mm
00927	1	1-1/2	22.23	20.32	61.47	55mm
00936	1	2	22.23	20.32	64.52	70mm
00942	1	3	22.23	20.32	76.71	95mm
00914	1-1/4	1-1/4	28.58	20.32	61.47	50mm
00930	1-1/4	1-1/2	28.58	20.32	61.47	55mm
00937	1-1/4	2	28.58	20.32	64.52	70mm
00921	1-1/2	1-1/4	33.32	21.59	62.74	55mm
00917	1-1/2	1-1/2	33.32	21.59	62.74	55mm
00943	1-1/2	2	33.32	21.59	65.79	70mm

DESIGN DETAILS AND SPECIFICATIONS SUBJECT TO CHANGE WITHOUT PRIOR NOTICE - Whilst every effort has been made to ensure the accuracy of the information supplied herein, Burnett & Hillman cannot be held responsible for any errors or omissions (E&OE)

A/F dimensions are imperial unless stated.



	T1	T2	B1	L1	O/L	A/F
00915	2	2	46.02	25.4	69.6	70mm
00935	2	2-1/2	46.02	25.4	81.79	90mm
00944	2	3	46.02	25.4	81.28	95mm
00926	2-1/2	2-1/2	60.2	25.4	82.55	90mm