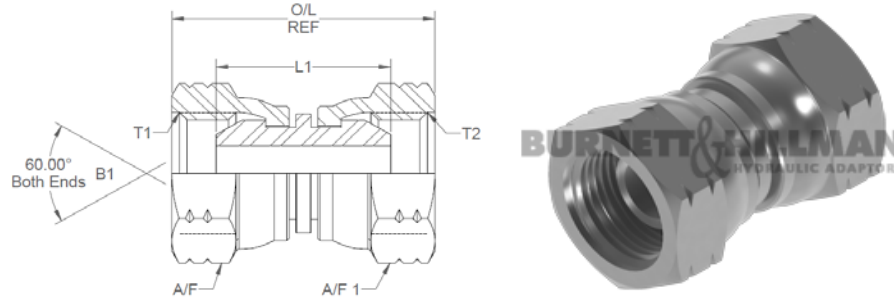
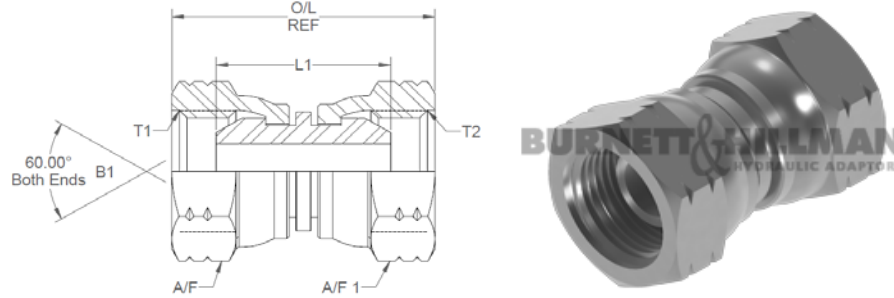


All dimensions are imperial unless stated.



	T1	T2	B1	L1	O/L	A/F	A/F1
31727	1/4	1/4	0.172	0.92	1.36	19mm	19mm
31729	3/8	3/8	0.271	1.124	1.71	22mm	22mm
31734	1/2	1/2	0.375	1.156	1.75	27mm	27mm
31741	3/4	3/4	0.6	1.1	1.9	32mm	32mm
31743	1	1	0.797	1.196	2.16	41mm	41mm

A/F dimensions are imperial unless stated.



	T1	T2	B1	L1	O/L	A/F	A/F1
31727	1/4	1/4	4.37	23.37	34.54	19mm	19mm
31729	3/8	3/8	6.88	28.55	43.43	22mm	22mm
31734	1/2	1/2	9.53	29.36	44.45	27mm	27mm
31741	3/4	3/4	15.24	27.94	48.26	32mm	32mm
31743	1	1	20.24	30.38	54.86	41mm	41mm