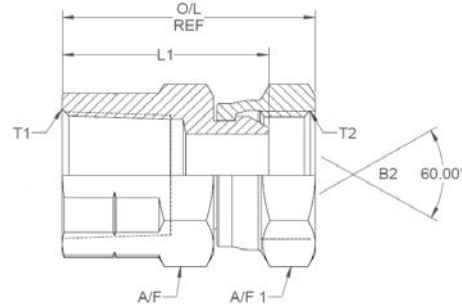
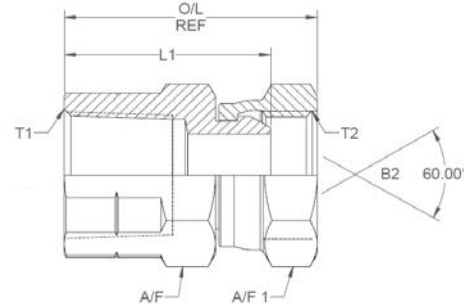


All dimensions are imperial unless stated.



	T1	T2	B2	L1	O/L	A/F	A/F1
90000	1/8	1/8	0.126	0.985	1.17	14mm	14mm
90001	1/4	1/4	0.172	1.23	1.44	19mm	19mm
90002	3/8	3/8	0.271	1.422	1.69	22mm	22mm
90003	1/2	1/2	0.375	1.608	1.9	27mm	27mm
90004	3/4	3/4	0.6	1.775	2.18	32mm	32mm
90005	1	1	0.843	2.048	2.5	41mm	41mm
90006	1-1/4	1-1/4	1.014	2.21	2.66	50mm	50mm
90007	1-1/2	1-1/2	1.312	2.32	2.86	55mm	55mm
90008	2	2	1.75	2.552	3.21	70mm	70mm

A/F dimensions are imperial unless stated.



	T1	T2	B2	L1	A/F	A/F1
90000	1/8	1/8	3.2	25.02	14mm	14mm
90001	1/4	1/4	4.37	31.24	19mm	19mm
90002	3/8	3/8	6.88	36.12	22mm	22mm
90003	1/2	1/2	9.53	40.84	27mm	27mm
90004	3/4	3/4	15.24	45.09	32mm	32mm
90005	1	1	21.41	52.02	41mm	41mm
90006	1-1/4	1-1/4	25.76	56.13	50mm	50mm
90007	1-1/2	1-1/2	33.32	58.93	55mm	55mm
90008	2	2	44.45	64.82	70mm	70mm