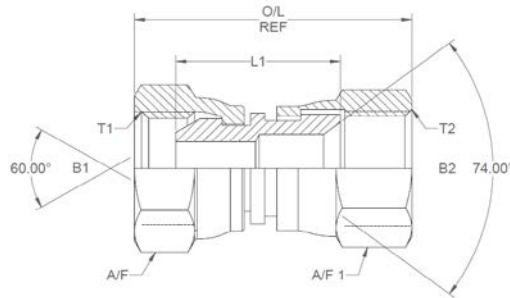


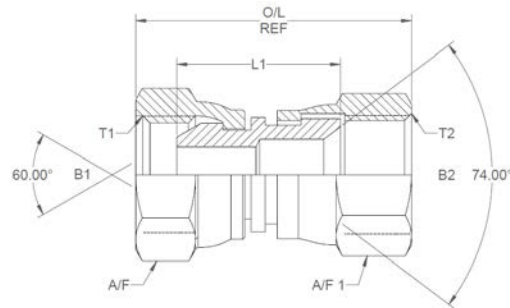
All dimensions are imperial unless stated.



	T1	T2	B1	B2	L1	O/L	A/F	A/F1
01859	1/4	7/16	0.172	0.172	0.823	1.375	19mm	0.562
01861	1/4	1/2	0.172	0.203	0.839	1.44	0.71	0.625
01850	1/4	9/16	0.172	0.296	0.87	1.45	19mm	0.687
01872	1/4	1-1/16	0.172	0.593	1.087	1.88	0.71	1.25
01860	3/8	7/16	0.176	0.176	0.925	1.56	22mm	0.562
01868	3/8	1/2	0.203	0.203	0.941	1.61	0.82	0.625
01851	3/8	9/16	0.296	0.296	0.972	1.61	22mm	0.687
01852	3/8	3/4	0.271	0.39	1.1	1.8	22mm	0.875
01853	3/8	7/8	0.296	0.5	1.147	1.9	22mm	1
01854	1/2	9/16	0.296	0.296	0.988	1.76	1.01	0.687
01855	1/2	3/4	0.375	0.375	1.116	1.84	27mm	0.875
01856	1/2	7/8	0.375	0.5	1.163	1.94	27mm	1
01862	1/2	1-1/16	0.39	0.593	1.205	2.07	27mm	1.25
01858	5/8	7/8	0.5	0.5	1.135	2.05	1.1	1
01857	3/4	3/4	0.39	0.39	1.088	1.99	1.3	0.875
01863	3/4	1-1/16	0.593	0.593	1.177	2.15	32mm	1.25
01869	3/4	1-3/16	0.593	0.75	1.122	2.2	1.3	1.375
01865	3/4	1-5/16	0.6	0.812	1.21	2.2	32mm	1.5
01866	1	1-1/16	0.593	0.593	1.225	2.29	1.48	1.25
01864	1	1-5/16	0.797	0.797	1.258	2.3	41mm	1.5

DESIGN DETAILS AND SPECIFICATIONS SUBJECT TO CHANGE WITHOUT PRIOR NOTICE - Whilst every effort has been made to ensure the accuracy of the information supplied herein, Burnett & Hillman cannot be held responsible for any errors or omissions (E&OE)

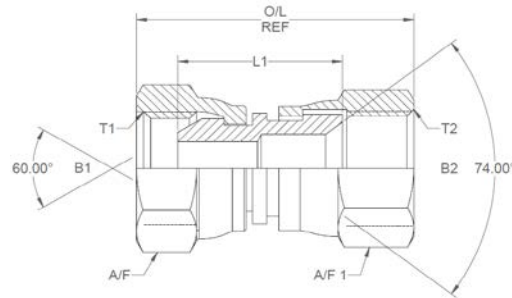
All dimensions are imperial unless stated.



	T1	T2	B1	B2	L1	O/L	A/F	A/F1
01870	1-1/4	1-5/16	1.047	0.812	1.32	2.34	50mm	1.5
01867	1-1/4	1-5/8	1.047	1.047	1.351	2.45	50mm	50mm
01871	1-1/2	1-7/8	1.312	1.25	1.6	2.84	55mm	55mm

DESIGN DETAILS AND SPECIFICATIONS SUBJECT TO CHANGE WITHOUT PRIOR NOTICE - Whilst every effort has been made to ensure the accuracy of the information supplied herein, Burnett & Hillman cannot be held responsible for any errors or omissions (E&OE)

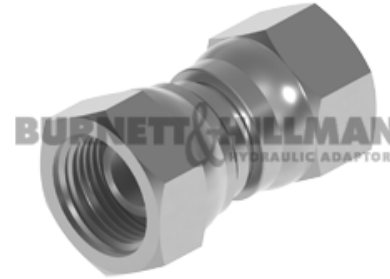
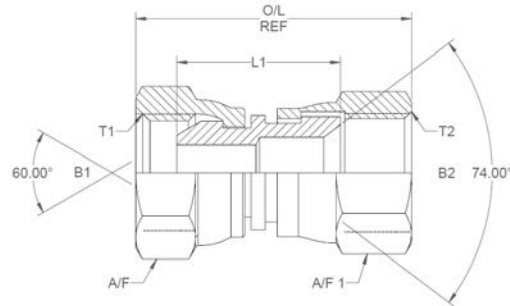
A/F dimensions are imperial unless stated.



	T1	T2	B1	B2	L1	O/L	A/F	A/F1
01859	1/4	7/16	4.37	4.37	20.9	34.93	19mm	0.562
01861	1/4	1/2	4.37	5.16	21.31	36.58	0.71	0.625
01850	1/4	9/16	4.37	7.52	22.1	36.83	19mm	0.687
01872	1/4	1-1/16	4.37	15.06	27.61	47.75	0.71	1.25
01860	3/8	7/16	4.47	4.47	23.5	39.62	22mm	0.562
01868	3/8	1/2	5.16	5.16	23.9	40.89	0.82	0.625
01851	3/8	9/16	7.52	7.52	24.69	40.89	22mm	0.687
01852	3/8	3/4	6.88	9.91	27.94	45.72	22mm	0.875
01853	3/8	7/8	7.52	12.7	29.13	48.26	22mm	1
01854	1/2	9/16	7.52	7.52	25.1	44.7	1.01	0.687
01855	1/2	3/4	9.53	9.53	28.35	46.74	27mm	0.875
01856	1/2	7/8	9.53	12.7	29.54	49.28	27mm	1
01862	1/2	1-1/16	9.91	15.06	30.61	52.58	27mm	1.25
01858	5/8	7/8	12.7	12.7	28.83	52.07	1.1	1
01857	3/4	3/4	9.91	9.91	27.64	50.55	1.3	0.875
01863	3/4	1-1/16	15.06	15.06	29.9	54.61	32mm	1.25
01869	3/4	1-3/16	15.06	19.05	28.5	55.88	1.3	1.375
01865	3/4	1-5/16	15.24	20.62	30.73	55.88	32mm	1.5
01866	1	1-1/16	15.06	15.06	31.12	58.17	1.48	1.25
01864	1	1-5/16	20.24	20.24	31.95	58.42	41mm	1.5

DESIGN DETAILS AND SPECIFICATIONS SUBJECT TO CHANGE WITHOUT PRIOR NOTICE - Whilst every effort has been made to ensure the accuracy of the information supplied herein, Burnett & Hillman cannot be held responsible for any errors or omissions (E&OE)

A/F dimensions are imperial unless stated.



	T1	T2	B1	B2	L1	O/L	A/F	A/F1
01870	1-1/4	1-5/16	26.59	20.62	33.53	59.44	50mm	1.5
01867	1-1/4	1-5/8	26.59	26.59	34.32	62.23	50mm	50mm
01871	1-1/2	1-7/8	33.32	31.75	40.64	72.14	55mm	55mm