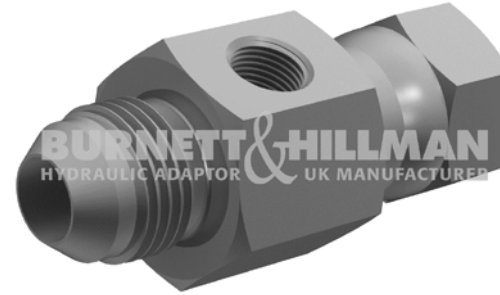
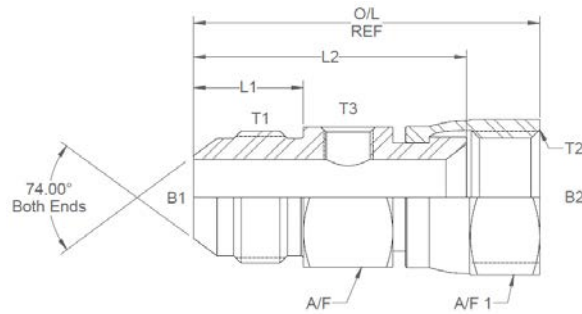
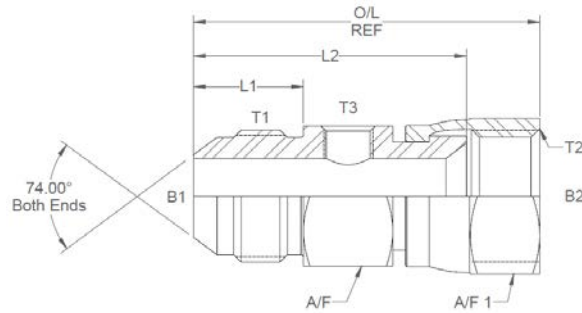


All dimensions are imperial unless stated.



	T1	T2	T3	B1	B2	L1	L2	O/L	A/F	A/F1
01687-TP-B02	7/16	7/16	1/8	0.172	0.172	0.55	1.73	2.08	27mm	0.562
01678-TP-B02	9/16	9/16	1/8	0.297	0.297	0.556	1.703	2.08	27mm	0.687
01685-TP-B02	3/4	3/4	1/8	0.391	0.391	0.657	2.02	2.44	27mm	0.875
01683-TP-B02	7/8	7/8	1/8	0.484	0.484	0.758	2.168	2.68	27mm	1
01692-TP-B02	1-1/16	1-1/16	1/8	0.609	0.609	0.864	2.141	2.7	1.125	1.25
01693-TP-B02	1-5/16	1-5/16	1/8	0.844	0.844	0.911	2.25	2.85	41mm	1.5

A/F dimensions are imperial unless stated.



	T1	T2	T3	B1	B2	L1	L2	O/L	A/F	A/F1
01687-TP-B02	7/16	7/16	1/8	4.37	4.37	13.97	43.94	52.83	27mm	0.562
01678-TP-B02	9/16	9/16	1/8	7.54	7.54	14.12	43.26	52.83	27mm	0.687
01685-TP-B02	3/4	3/4	1/8	9.93	9.93	16.69	51.31	61.98	27mm	0.875
01683-TP-B02	7/8	7/8	1/8	12.29	12.29	19.25	55.07	68.07	27mm	1
01692-TP-B02	1-1/16	1-1/16	1/8	15.47	15.47	21.95	54.38	68.58	1.125	1.25
01693-TP-B02	1-5/16	1-5/16	1/8	21.44	21.44	23.14	57.15	72.39	41mm	1.5