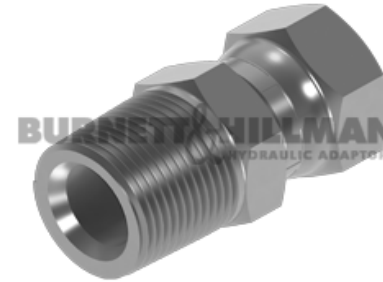
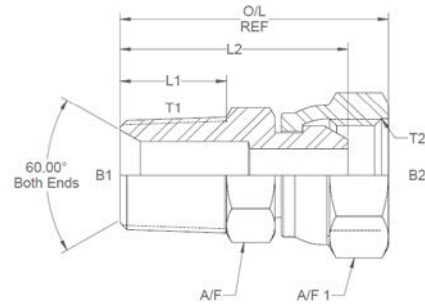
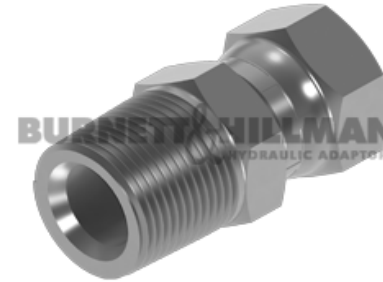
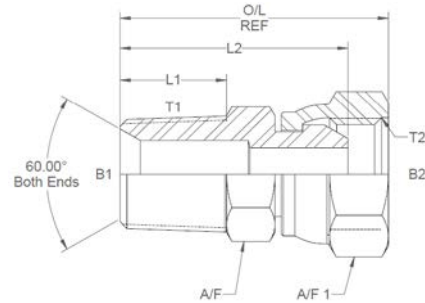


All dimensions are imperial unless stated.



	T1	T2	B1	B2	L1	L2	O/L	A/F	A/F1
01876CBT	1/4	1/4	0.25	0.172	0.58	1.3	1.52	0.562	19mm
01877CBT	3/8	3/8	0.375	0.271	0.59	1.422	1.68	0.687	22mm
01885CBT	0	0	0	0	0	0	0	0	0
01884CBT	0	0	0	0	0	0	0	0	0
01878CBT	1/2	1/2	0.5	0.375	0.76	1.628	1.94	22mm	27mm
01880CBT	3/4	1/2	0.687	0.375	0.77	1.71	2	27mm	27mm
01881CBT	3/4	3/4	0.687	0.6	0.77	1.65	2.07	30mm	32mm
01887CBT	0	0	0	0	0	0	0	0	0
01882CBT	0	0	0	0	0	0	0	0	0
01883CBT	0	0	0	0	0	0	0	0	0

A/F dimensions are imperial unless stated.



	T1	T2	B1	B2	L1	L2	O/L	A/F	A/F1
01876CBT	1/4	1/4	6.35	4.37	14.73	33.02	38.61	0.562	19mm
01877CBT	3/8	3/8	9.53	6.88	14.99	36.12	42.67	0.687	22mm
01885CBT	0	0	0	0	0	0	0	0	0
01884CBT	0	0	0	0	0	0	0	0	0
01878CBT	1/2	1/2	12.7	9.53	19.3	41.35	49.28	22mm	27mm
01880CBT	3/4	1/2	17.45	9.53	19.56	43.43	50.8	27mm	27mm
01881CBT	3/4	3/4	17.45	15.24	19.56	41.91	52.58	30mm	32mm
01887CBT	0	0	0	0	0	0	0	0	0
01882CBT	0	0	0	0	0	0	0	0	0
01883CBT	0	0	0	0	0	0	0	0	0