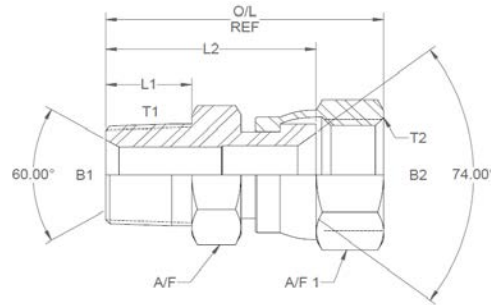


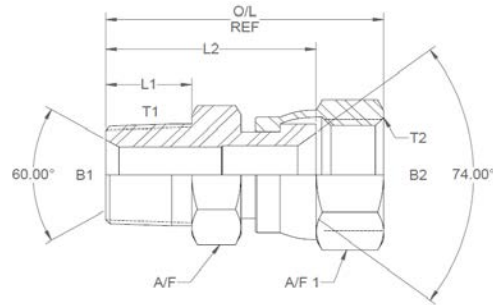
All dimensions are imperial unless stated.



	T1	T2	B1	B2	L1	L2	O/L	A/F	A/F1
11200	1/8	7/16	0.188	0.176	0.38	0.95	1.3	0.562	0.562
11212	0	0	0	0	0	0	0	0	0
11211	1/4	7/16	0.25	0.176	0.56	1.173	1.58	0.562	0.562
11206	1/4	1/2	0.25	0.203	0.56	1.189	1.6	0.562	0.625
11201	1/4	9/16	0.25	0.25	0.56	1.22	1.63	0.625	0.687
11209	3/8	9/16	0.375	0.297	0.56	1.19	1.63	0.687	0.687
11202	3/8	3/4	0.375	0.391	0.56	1.368	1.77	0.812	0.875
11208	1/2	3/4	0.5	0.391	0.75	1.538	2	22mm	0.875
11203	1/2	7/8	0.5	0.5	0.75	1.585	2.12	22mm	1
11204	3/4	1-1/16	0.687	0.593	0.75	1.72	2.29	1.125	1.25
11205	1	1-5/16	0.843	0.812	0.99	1.8	2.08	1.5	1.5

DESIGN DETAILS AND SPECIFICATIONS SUBJECT TO CHANGE WITHOUT PRIOR NOTICE - Whilst every effort has been made to ensure the accuracy of the information supplied herein, Burnett & Hillman cannot be held responsible for any errors or omissions (E&OE)

A/F dimensions are imperial unless stated.



	T1	T2	B1	B2	L1	L2	O/L	A/F	A/F1
11200	1/8	7/16	4.78	4.47	9.65	24.13	33.02	0.562	0.562
11212	0	0	0	0	0	0	0	0	0
11211	1/4	7/16	6.35	4.47	14.22	29.79	40.13	0.562	0.562
11206	1/4	1/2	6.35	5.16	14.22	30.2	40.64	0.562	0.625
11201	1/4	9/16	6.35	6.35	14.22	30.99	41.4	0.625	0.687
11209	3/8	9/16	9.53	7.54	14.22	30.23	41.4	0.687	0.687
11202	3/8	3/4	9.53	9.93	14.22	34.75	44.96	0.812	0.875
11208	1/2	3/4	12.7	9.93	19.05	39.07	50.8	22mm	0.875
11203	1/2	7/8	12.7	12.7	19.05	40.26	53.85	22mm	1
11204	3/4	1-1/16	17.45	15.06	19.05	43.69	58.17	1.125	1.25
11205	1	1-5/16	21.41	20.62	25.15	45.72	52.83	1.5	1.5