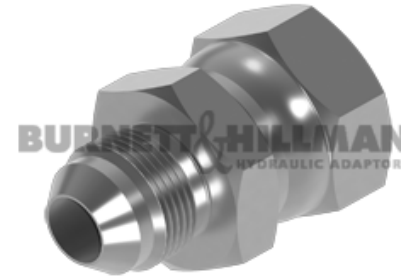
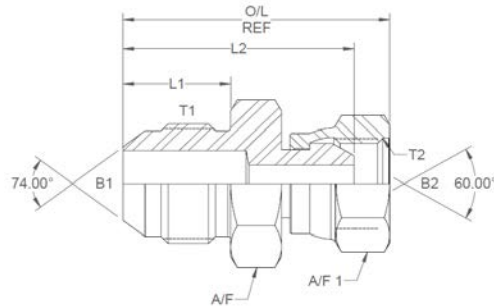


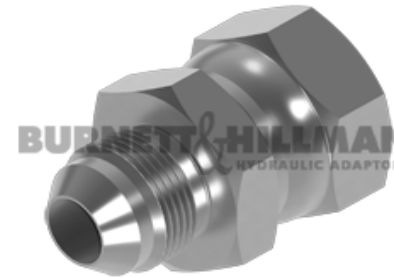
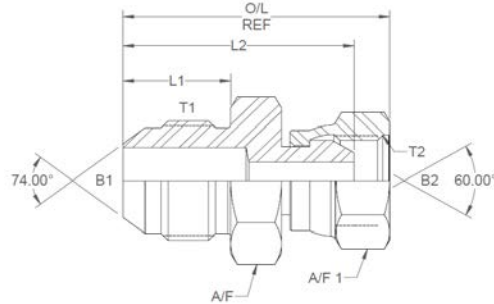
All dimensions are imperial unless stated.



	T1	T2	B1	B2	L1	L2	O/L	A/F	A/F1
01600	7/16	1/8	0.172	0.125	0.55	1.15	1.33	0.5	14mm
01605	7/16	1/4	0.172	0.172	0.55	1.21	1.42	0.71	19mm
01614	7/16	3/8	0.172	0.271	0.55	1.382	1.64	19mm	22mm
01613	7/16	1/2	0.172	0.375	0.55	1.468	1.8	22mm	27mm
01601	1/2	1/4	0.234	0.172	0.55	1.21	1.41	19mm	19mm
01618	1/2	3/8	0.234	0.234	0.55	1.382	1.64	19mm	22mm
01617	1/2	1/2	0.234	0.375	0.55	1.388	1.69	22mm	27mm
01602	9/16	1/4	0.297	0.172	0.556	1.236	1.45	17mm	19mm
01603	9/16	3/8	0.297	0.271	0.556	1.318	1.56	19mm	22mm
01604	9/16	1/2	0.297	0.297	0.556	1.334	1.63	22mm	27mm
01606	3/4	3/8	0.391	0.271	0.657	1.489	1.78	22mm	22mm
01607	3/4	1/2	0.391	0.391	0.657	1.545	1.85	22mm	27mm
01599	3/4	5/8	0.391	0.464	0.657	1.467	1.88	27mm	30mm
01620	3/4	3/4	0.391	0.6	0.657	1.557	1.95	1.125	32mm
01608	7/8	3/8	0.484	0.271	0.758	1.59	1.84	1	22mm
01609	7/8	1/2	0.484	0.375	0.758	1.676	2	1	27mm
01619	7/8	5/8	0.484	0.464	0.758	1.633	2.05	27mm	30mm
01615	7/8	3/4	0.484	0.609	0.758	1.658	2.05	30mm	32mm
01594	1-1/16	1/2	0.609	0.375	0.864	1.772	2.07	1.125	27mm
01610	1-1/16	3/4	0.609	0.609	0.864	1.744	2.13	1.125	32mm

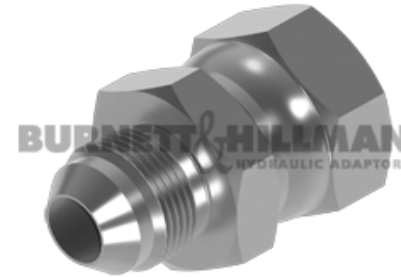
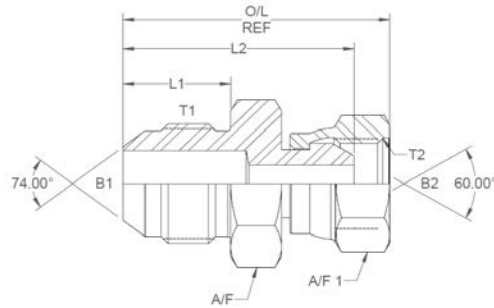
DESIGN DETAILS AND SPECIFICATIONS SUBJECT TO CHANGE WITHOUT PRIOR NOTICE - Whilst every effort has been made to ensure the accuracy of the information supplied herein, Burnett & Hillman cannot be held responsible for any errors or omissions (E&OE)

All dimensions are imperial unless stated.



	T1	T2	B1	B2	L1	L2	O/L	A/F	A/F1
01616	1-1/16	1	0.609	0.797	0.864	1.822	2.26	1.5	41mm
01623	1-3/16	3/4	0.719	0.609	0.89	1.8	2.27	1.3	1.3
01624	1-5/16	3/4	0.844	0.609	0.911	1.821	2.23	1.375	32mm
01611	1-5/16	1	0.844	0.797	0.911	1.869	2.32	1.5	41mm
01612	1-5/8	1-1/4	1.078	1.047	0.958	2.12	2.57	46mm	50mm
01597	1-5/8	1-1/2	1.078	1.312	0.958	2.16	2.68	50mm	55mm
01598	1-7/8	1-1/2	1.312	1.312	1.083	2.333	2.9	50mm	55mm
01593	2-1/2	2	1.781	1.703	1.333	2.695	3.37	70mm	70mm

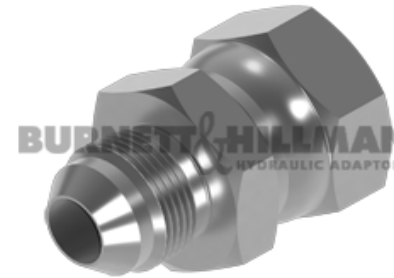
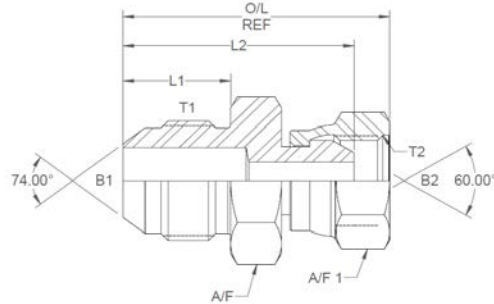
A/F dimensions are imperial unless stated.



	T1	T2	B1	B2	L1	L2	O/L	A/F	A/F1
01600	7/16	1/8	4.37	3.18	13.97	29.21	33.78	0.5	14mm
01605	7/16	1/4	4.37	4.37	13.97	30.73	36.07	0.71	19mm
01614	7/16	3/8	4.37	6.88	13.97	35.1	41.66	19mm	22mm
01613	7/16	1/2	4.37	9.53	13.97	37.29	45.72	22mm	27mm
01601	1/2	1/4	5.94	4.37	13.97	30.73	35.81	19mm	19mm
01618	1/2	3/8	5.94	5.94	13.97	35.1	41.66	19mm	22mm
01617	1/2	1/2	5.94	9.53	13.97	35.26	42.93	22mm	27mm
01602	9/16	1/4	7.54	4.37	14.12	31.39	36.83	17mm	19mm
01603	9/16	3/8	7.54	6.88	14.12	33.48	39.62	19mm	22mm
01604	9/16	1/2	7.54	7.54	14.12	33.88	41.4	22mm	27mm
01606	3/4	3/8	9.93	6.88	16.69	37.82	45.21	22mm	22mm
01607	3/4	1/2	9.93	9.93	16.69	39.24	46.99	22mm	27mm
01599	3/4	5/8	9.93	11.79	16.69	37.26	47.75	27mm	30mm
01620	3/4	3/4	9.93	15.24	16.69	39.55	49.53	1.125	32mm
01608	7/8	3/8	12.29	6.88	19.25	40.39	46.74	1	22mm
01609	7/8	1/2	12.29	9.53	19.25	42.57	50.8	1	27mm
01619	7/8	5/8	12.29	11.79	19.25	41.48	52.07	27mm	30mm
01615	7/8	3/4	12.29	15.47	19.25	42.11	52.07	30mm	32mm
01594	1-1/16	1/2	15.47	9.53	21.95	45.01	52.58	1.125	27mm
01610	1-1/16	3/4	15.47	15.47	21.95	44.3	54.1	1.125	32mm

DESIGN DETAILS AND SPECIFICATIONS SUBJECT TO CHANGE WITHOUT PRIOR NOTICE - Whilst every effort has been made to ensure the accuracy of the information supplied herein, Burnett & Hillman cannot be held responsible for any errors or omissions (E&OE)

A/F dimensions are imperial unless stated.



	T1	T2	B1	B2	L1	L2	O/L	A/F	A/F1
01616	1-1/16	1	15.47	20.24	21.95	46.28	57.4	1.5	41mm
01623	1-3/16	3/4	18.26	15.47	22.61	45.72	57.66	1.3	1.3
01624	1-5/16	3/4	21.44	15.47	23.14	46.25	56.64	1.375	32mm
01611	1-5/16	1	21.44	20.24	23.14	47.47	58.93	1.5	41mm
01612	1-5/8	1-1/4	27.38	26.59	24.33	53.85	65.28	46mm	50mm
01597	1-5/8	1-1/2	27.38	33.32	24.33	54.86	68.07	50mm	55mm
01598	1-7/8	1-1/2	33.32	33.32	27.51	59.26	73.66	50mm	55mm
01593	2-1/2	2	45.24	43.26	33.86	68.45	85.6	70mm	70mm