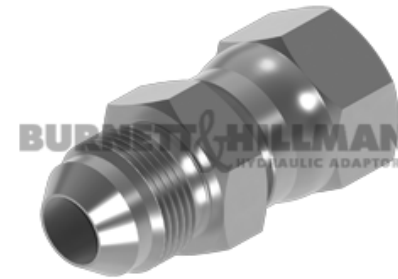
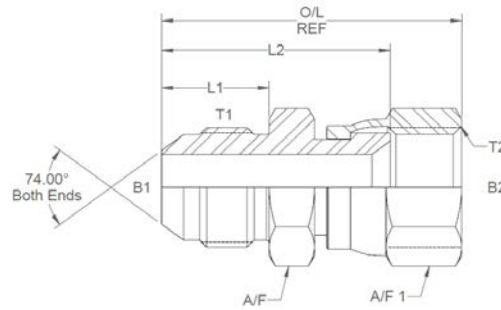


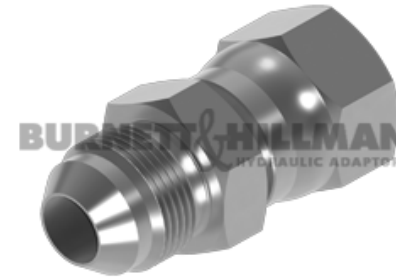
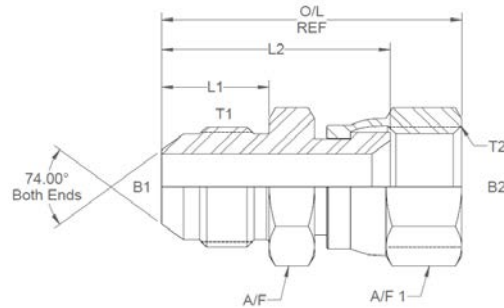
All dimensions are imperial unless stated.



	T1	T2	B1	B2	L1	L2	O/L	A/F	A/F1
01687	7/16	7/16	0.172	0.172	0.55	1.083	1.45	0.562	0.562
01675	7/16	9/16	0.172	0.172	0.55	1.16	1.56	0.562	0.687
01694	7/16	3/4	0.172	0.39	0.55	1.313	1.75	0.812	0.875
01671	7/16	7/8	0.172	0.5	0.55	1.36	1.86	0.812	1
01670	1/2	7/16	0.234	0.176	0.55	1.113	1.48	0.562	0.562
01676	1/2	1/2	0.234	0.203	0.55	1.129	1.51	0.562	0.625
01677	1/2	9/16	0.234	0.234	0.55	1.16	1.58	0.562	0.687
01684	9/16	7/16	0.297	0.176	0.556	1.139	1.5	0.625	0.562
01674	9/16	1/2	0.297	0.203	0.556	1.155	1.55	0.625	0.625
01678	9/16	9/16	0.297	0.297	0.556	1.186	1.6	0.625	0.687
01679	9/16	3/4	0.297	0.39	0.556	1.314	1.75	0.812	0.875
01695	9/16	7/8	0.297	0.5	0.556	1.366	1.86	0.812	1
01774	9/16	1-1/16	0.297	0.593	0.556	1.518	2.1	27mm	1.25
01685-04JF	3/4	7/16	0.391	0.176	0.657	1.25	1.6	0.812	0.562
01668	3/4	1/2	0.391	0.203	0.657	1.3	1.69	0.812	0.625
01680	3/4	9/16	0.391	0.296	0.657	1.317	1.7	22mm	0.687
01685	3/4	3/4	0.391	0.391	0.657	1.455	1.9	0.812	0.875
01681	3/4	7/8	0.391	0.5	0.657	1.502	2	0.812	1
01691	3/4	1-1/16	0.391	0.593	0.657	1.624	2.22	27mm	1.25
01773	3/4	1-5/8	0.391	1.075	0.657	1.76	2.4	41mm	50mm

DESIGN DETAILS AND SPECIFICATIONS SUBJECT TO CHANGE WITHOUT PRIOR NOTICE - Whilst every effort has been made to ensure the accuracy of the information supplied herein, Burnett & Hillman cannot be held responsible for any errors or omissions (E&OE)

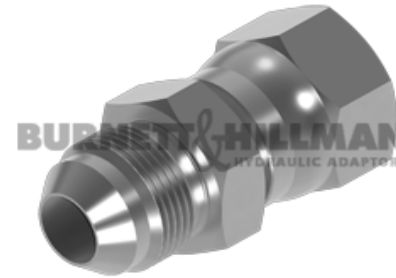
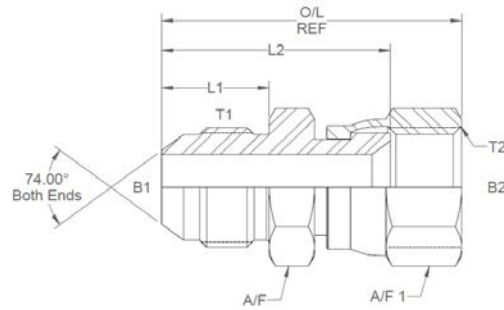
All dimensions are imperial unless stated.



	T1	T2	B1	B2	L1	L2	O/L	A/F	A/F1
01682	7/8	3/4	0.484	0.39	0.758	1.606	2.03	1	0.875
01683	7/8	7/8	0.484	0.484	0.758	1.613	2.12	1	1
01690	7/8	1-1/16	0.484	0.593	0.758	1.715	2.3	27mm	1.25
01688	1-1/16	3/4	0.609	0.39	0.864	1.762	2.19	1.125	0.875
01686	1-1/16	7/8	0.609	0.5	0.864	1.809	2.32	1.125	1
01692	1-1/16	1-1/16	0.609	0.609	0.864	1.851	2.43	1.125	1.25
01696	1-1/16	1-5/16	0.609	0.812	0.864	1.884	2.48	1.375	1.5
01666	1-1/16	1-5/8	0.609	1.075	0.864	1.955	2.61	1.75	50mm
01699	1-3/16	1-3/16	0.719	0.719	0.89	1.857	2.46	1.375	1.375
01689	1-5/16	1-1/16	0.844	0.593	0.911	1.898	2.46	1.375	1.25
01693	1-5/16	1-5/16	0.844	0.844	0.911	1.931	2.52	1.375	1.5
01673	1-5/16	1-5/8	0.844	1.075	0.911	2.002	2.65	1.75	50mm
01669	1-5/16	1-7/8	0.844	1.312	0.911	2.161	2.87	50mm	55mm
01770	1-5/8	1-5/16	1.078	0.844	0.958	2.068	2.67	1.75	1.5
01697	1-5/8	1-5/8	1.078	1.078	0.958	2.009	2.66	46mm	50mm
01672	1-5/8	1-7/8	1.078	1.25	0.958	2.228	2.95	50mm	55mm
01697-24-20	1-7/8	1-5/8	1.312	1.078	1.083	2.2	2.86	50mm	50mm
01698	1-7/8	1-7/8	1.312	1.312	1.083	2.333	3.03	50mm	55mm
01667	1-7/8	2-1/2	1.312	1.75	1.083	2.413	3.33	70mm	70mm
01786	2-1/2	2-1/2	1.781	1.781	1.333	2.78	3.7	70mm	70mm

DESIGN DETAILS AND SPECIFICATIONS SUBJECT TO CHANGE WITHOUT PRIOR NOTICE - Whilst every effort has been made to ensure the accuracy of the information supplied herein, Burnett & Hillman cannot be held responsible for any errors or omissions (E&OE)

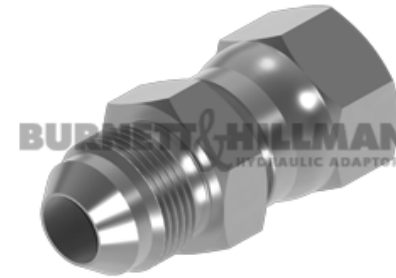
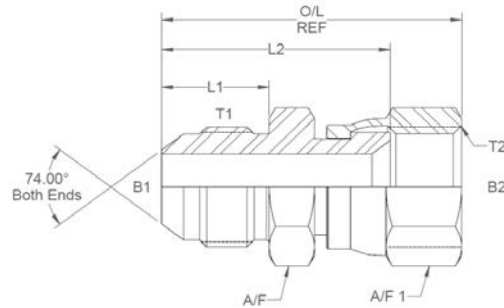
A/F dimensions are imperial unless stated.



	T1	T2	B1	B2	L1	L2	O/L	A/F	A/F1
01687	7/16	7/16	4.37	4.37	13.97	27.51	36.83	0.562	0.562
01675	7/16	9/16	4.37	4.37	13.97	29.46	39.62	0.562	0.687
01694	7/16	3/4	4.37	9.91	13.97	33.35	44.45	0.812	0.875
01671	7/16	7/8	4.37	12.7	13.97	34.54	47.24	0.812	1
01670	1/2	7/16	5.94	4.47	13.97	28.27	37.59	0.562	0.562
01676	1/2	1/2	5.94	5.16	13.97	28.68	38.35	0.562	0.625
01677	1/2	9/16	5.94	5.94	13.97	29.46	40.13	0.562	0.687
01684	9/16	7/16	7.54	4.47	14.12	28.93	38.1	0.625	0.562
01674	9/16	1/2	7.54	5.16	14.12	29.34	39.37	0.625	0.625
01678	9/16	9/16	7.54	7.54	14.12	30.12	40.64	0.625	0.687
01679	9/16	3/4	7.54	9.91	14.12	33.38	44.45	0.812	0.875
01695	9/16	7/8	7.54	12.7	14.12	34.7	47.24	0.812	1
01774	9/16	1-1/16	7.54	15.06	14.12	38.56	53.34	27mm	1.25
01685-04JF	3/4	7/16	9.93	4.47	16.69	31.75	40.64	0.812	0.562
01668	3/4	1/2	9.93	5.16	16.69	33.02	42.93	0.812	0.625
01680	3/4	9/16	9.93	7.52	16.69	33.45	43.18	22mm	0.687
01685	3/4	3/4	9.93	9.93	16.69	36.96	48.26	0.812	0.875
01681	3/4	7/8	9.93	12.7	16.69	38.15	50.8	0.812	1
01691	3/4	1-1/16	9.93	15.06	16.69	41.25	56.39	27mm	1.25
01773	3/4	1-5/8	9.93	27.31	16.69	44.7	60.96	41mm	50mm

DESIGN DETAILS AND SPECIFICATIONS SUBJECT TO CHANGE WITHOUT PRIOR NOTICE - Whilst every effort has been made to ensure the accuracy of the information supplied herein, Burnett & Hillman cannot be held responsible for any errors or omissions (E&OE)

A/F dimensions are imperial unless stated.



	T1	T2	B1	B2	L1	L2	O/L	A/F	A/F1
01682	7/8	3/4	12.29	9.91	19.25	40.79	51.56	1	0.875
01683	7/8	7/8	12.29	12.29	19.25	40.97	53.85	1	1
01690	7/8	1-1/16	12.29	15.06	19.25	43.56	58.42	27mm	1.25
01688	1-1/16	3/4	15.47	9.91	21.95	44.75	55.63	1.125	0.875
01686	1-1/16	7/8	15.47	12.7	21.95	45.95	58.93	1.125	1
01692	1-1/16	1-1/16	15.47	15.47	21.95	47.02	61.72	1.125	1.25
01696	1-1/16	1-5/16	15.47	20.62	21.95	47.85	62.99	1.375	1.5
01666	1-1/16	1-5/8	15.47	27.31	21.95	49.66	66.29	1.75	50mm
01699	1-3/16	1-3/16	18.26	18.26	22.61	47.17	62.48	1.375	1.375
01689	1-5/16	1-1/16	21.44	15.06	23.14	48.21	62.48	1.375	1.25
01693	1-5/16	1-5/16	21.44	21.44	23.14	49.05	64.01	1.375	1.5
01673	1-5/16	1-5/8	21.44	27.31	23.14	50.85	67.31	1.75	50mm
01669	1-5/16	1-7/8	21.44	33.32	23.14	54.89	72.9	50mm	55mm
01770	1-5/8	1-5/16	27.38	21.44	24.33	52.53	67.82	1.75	1.5
01697	1-5/8	1-5/8	27.38	27.38	24.33	51.03	67.56	46mm	50mm
01672	1-5/8	1-7/8	27.38	31.75	24.33	56.59	74.93	50mm	55mm
01697-24-20	1-7/8	1-5/8	33.32	27.38	27.51	55.88	72.64	50mm	50mm
01698	1-7/8	1-7/8	33.32	33.32	27.51	59.26	76.96	50mm	55mm
01667	1-7/8	2-1/2	33.32	44.45	27.51	61.29	84.58	70mm	70mm
01786	2-1/2	2-1/2	45.24	45.24	33.86	70.61	93.98	70mm	70mm

DESIGN DETAILS AND SPECIFICATIONS SUBJECT TO CHANGE WITHOUT PRIOR NOTICE - Whilst every effort has been made to ensure the accuracy of the information supplied herein, Burnett & Hillman cannot be held responsible for any errors or omissions (E&OE)