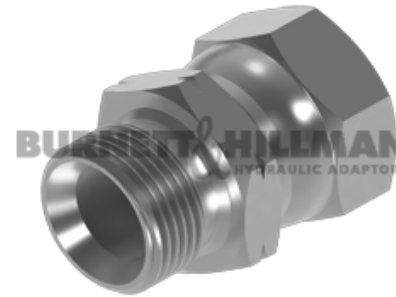
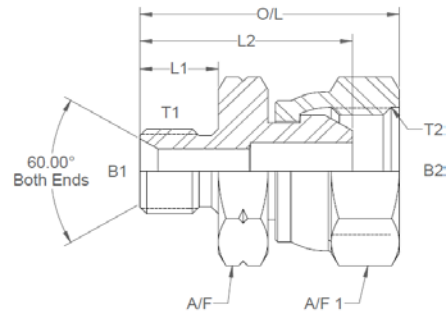


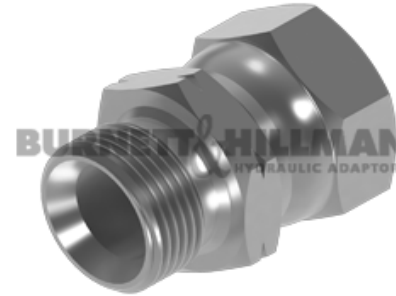
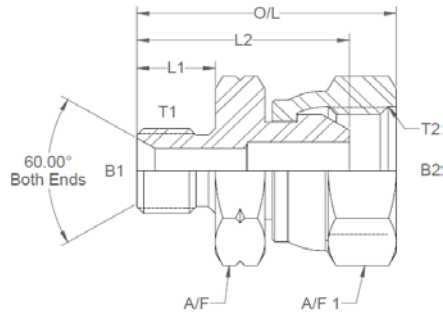
All dimensions are imperial unless stated.



	T1	T2	B1	B2	L1	L2	O/L	A/F	A/F1
01550	M12 x 1.5	1/4	0.197	0.172	0.49	1.15	1.36	19mm	19mm
01572	M12 x 1.5	3/8	0.197	0.296	0.49	1.3	1.55	22mm	22mm
01551	M14 x 1.5	1/4	0.296	0.172	0.49	1.16	1.375	19mm	19mm
01554	M14 x 1.5	3/8	0.296	0.271	0.49	1.302	1.57	22mm	22mm
01552	M14 x 1.5	1/2	0.296	0.39	0.49	1.328	1.63	27mm	27mm
01553	M16 x 1.5	1/4	0.375	0.172	0.52	1.2	1.41	22mm	19mm
01555	M16 x 1.5	3/8	0.375	0.296	0.52	1.332	1.56	22mm	22mm
01559	M16 x 1.5	1/2	0.375	0.375	0.52	1.358	1.65	24mm	27mm
01570	M16 x 1.5	3/4	0.375	0.375	0.52	1.4	1.89	1.3	1.3
01556	M18 x 1.5	3/8	0.437	0.271	0.52	1.332	1.6	24mm	22mm
01560	M18 x 1.5	1/2	0.437	0.375	0.52	1.358	1.66	24mm	27mm
01557	M20 x 1.5	3/8	0.5	0.296	0.52	1.332	1.59	27mm	22mm
01561	M20 x 1.5	1/2	0.5	0.375	0.52	1.358	1.66	27mm	27mm
01567	M20 x 1.5	3/4	0.5	0.6	0.52	1.34	1.73	30mm	32mm
01558	M22 x 1.5	3/8	0.562	0.271	0.54	1.352	1.62	27mm	22mm
01562	M22 x 1.5	1/2	0.562	0.375	0.54	1.378	1.69	27mm	27mm
01563	M22 x 1.5	3/4	0.562	0.562	0.54	1.39	1.792	27mm	32mm
01573	M24 x 1.5	1/2	0.64	0.375	0.64	1.498	1.79	30mm	27mm
01564	M26 x 1.5	3/8	0.659	0.271	0.74	1.552	1.87	32mm	22mm
01565	M26 x 1.5	1/2	0.659	0.375	0.74	1.578	1.962	32mm	27mm

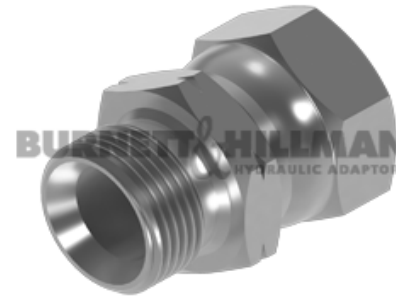
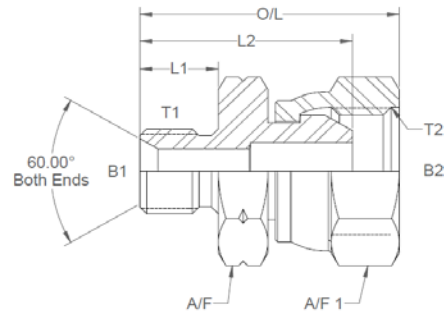
DESIGN DETAILS AND SPECIFICATIONS SUBJECT TO CHANGE WITHOUT PRIOR NOTICE - Whilst every effort has been made to ensure the accuracy of the information supplied herein, Burnett & Hillman cannot be held responsible for any errors or omissions (E&OE)

All dimensions are imperial unless stated.



	T1	T2	B1	B2	L1	L2	O/L	A/F	A/F1
01566	M26 x 1.5	3/4	0.718	0.609	0.74	1.59	1.985	32mm	32mm
01568	M30 x 1.5	3/8	0.812	0.296	0.8	1.672	1.95	1.5	22mm
01569	M30 x 1.5	1/2	0.812	0.39	0.8	1.688	2.05	1.5	27mm

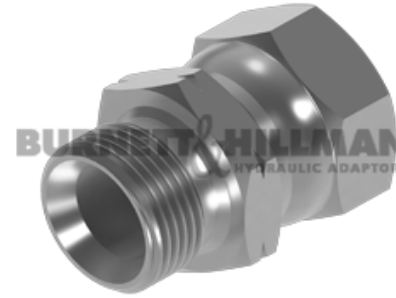
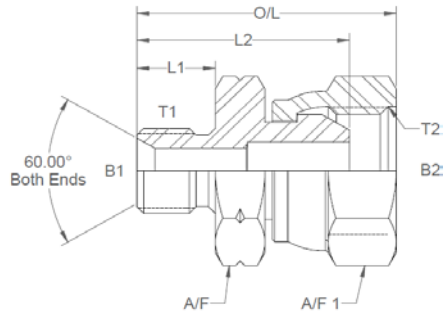
A/F dimensions are imperial unless stated.



	T1	T2	B1	B2	L1	L2	O/L	A/F	A/F1
01550	M12 x 1.5	1/4	5	4.37	12.45	29.21	34.54	19mm	19mm
01572	M12 x 1.5	3/8	5	7.52	12.45	33.02	39.37	22mm	22mm
01551	M14 x 1.5	1/4	7.52	4.37	12.45	29.46	34.93	19mm	19mm
01554	M14 x 1.5	3/8	7.52	6.88	12.45	33.07	39.88	22mm	22mm
01552	M14 x 1.5	1/2	7.52	9.91	12.45	33.73	41.4	27mm	27mm
01553	M16 x 1.5	1/4	9.53	4.37	13.21	30.48	35.81	22mm	19mm
01555	M16 x 1.5	3/8	9.53	7.52	13.21	33.83	39.62	22mm	22mm
01559	M16 x 1.5	1/2	9.53	9.53	13.21	34.49	41.91	24mm	27mm
01570	M16 x 1.5	3/4	9.53	9.53	13.21	35.56	48.01	1.3	1.3
01556	M18 x 1.5	3/8	11.1	6.88	13.21	33.83	40.64	24mm	22mm
01560	M18 x 1.5	1/2	11.1	9.53	13.21	34.49	42.16	24mm	27mm
01557	M20 x 1.5	3/8	12.7	7.52	13.21	33.83	40.39	27mm	22mm
01561	M20 x 1.5	1/2	12.7	9.53	13.21	34.49	42.16	27mm	27mm
01567	M20 x 1.5	3/4	12.7	15.24	13.21	34.04	43.94	30mm	32mm
01558	M22 x 1.5	3/8	14.27	6.88	13.72	34.34	41.15	27mm	22mm
01562	M22 x 1.5	1/2	14.27	9.53	13.72	35	42.93	27mm	27mm
01563	M22 x 1.5	3/4	14.27	14.27	13.72	35.31	45.52	27mm	32mm
01573	M24 x 1.5	1/2	16.26	9.53	16.26	38.05	45.47	30mm	27mm
01564	M26 x 1.5	3/8	16.74	6.88	18.8	39.42	47.5	32mm	22mm
01565	M26 x 1.5	1/2	16.74	9.53	18.8	40.08	49.83	32mm	27mm

DESIGN DETAILS AND SPECIFICATIONS SUBJECT TO CHANGE WITHOUT PRIOR NOTICE - Whilst every effort has been made to ensure the accuracy of the information supplied herein, Burnett & Hillman cannot be held responsible for any errors or omissions (E&OE)

A/F dimensions are imperial unless stated.



	T1	T2	B1	B2	L1	L2	O/L	A/F	A/F1
01566	M26 x 1.5	3/4	18.24	15.47	18.8	40.39	1.985	32mm	32mm
01568	M30 x 1.5	3/8	20.62	7.52	20.32	42.47	1.95	1.5	22mm
01569	M30 x 1.5	1/2	20.62	9.91	20.32	42.88	2.05	1.5	27mm