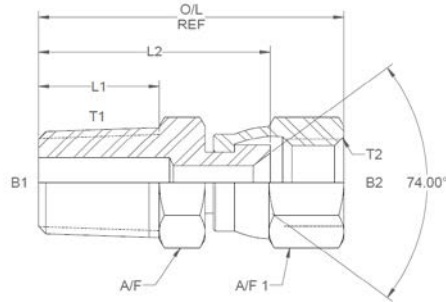
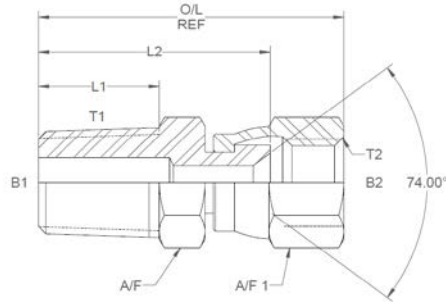


All dimensions are imperial unless stated.



	T1	T2	B1	B2	L1	L2	O/L	A/F	A/F1
10200	1/4	7/16	0.25	0.172	0.58	1.14	1.5	0.562	0.562

A/F dimensions are imperial unless stated.



	T1	T2	B1	B2	L1	L2	O/L	A/F	A/F1
10200	1/4	7/16	6.35	4.37	14.73	28.96	38.1	0.562	0.562