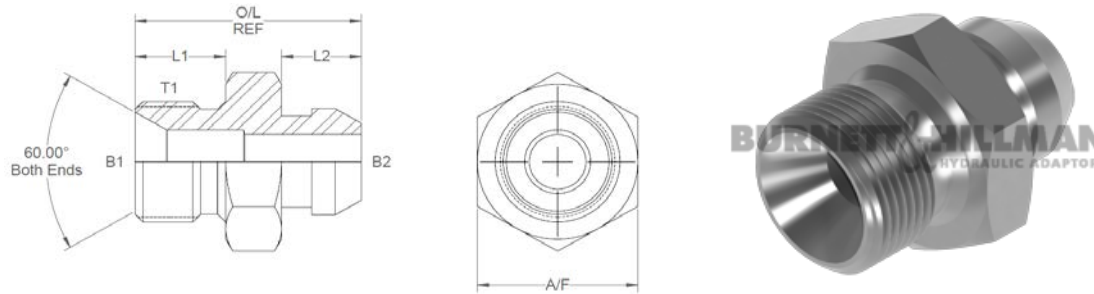


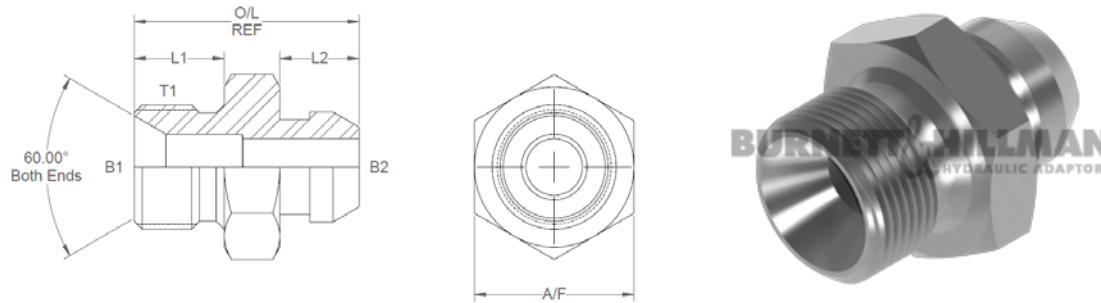
All dimensions are imperial unless stated.



	T1	T2	B1	B2	L1	L2	O/L	A/F
21425	1/8	1/8	0.137	0.125	0.44	0.35	1.12	14mm
21426	1/8	1/4	0.137	0.137	0.44	0.41	1.15	17mm
21428	1/4	1/8	0.185	0.125	0.45	0.35	1.1	19mm
21427	1/4	1/4	0.185	0.172	0.45	0.41	1.16	19mm
21429	1/4	3/8	0.185	0.185	0.45	0.512	1.242	19mm
21430	1/4	1/2	0.185	0.185	0.45	0.528	1.368	22mm
21431	1/4	3/4	0.25	0.609	0.45	0.5	1.35	30mm
21433	3/8	1/4	0.312	0.172	0.52	0.41	1.25	22mm
21434	3/8	3/8	0.312	0.271	0.52	0.512	1.352	22mm
21435	3/8	1/2	0.312	0.312	0.52	0.528	1.363	22mm
21470	3/8	5/8	0.312	0.464	0.52	0.5	1.395	27mm
21436	3/8	3/4	0.312	0.312	0.52	0.5	1.395	30mm
21437	3/8	1	0.312	0.797	0.52	0.548	1.483	1.5
21438	1/2	1/4	0.437	0.172	0.6	0.41	1.38	27mm
21439	1/2	3/8	0.437	0.271	0.6	0.512	1.472	27mm
21440	1/2	1/2	0.437	0.375	0.6	0.528	1.498	27mm
21441	1/2	5/8	0.437	0.437	0.6	0.5	1.48	27mm
21442	1/2	3/4	0.437	0.437	0.6	0.5	1.51	30mm
21443	1/2	1	0.437	0.797	0.6	0.548	1.573	1.5
21444	5/8	3/8	0.593	0.296	0.7	0.512	1.622	30mm

DESIGN DETAILS AND SPECIFICATIONS SUBJECT TO CHANGE WITHOUT PRIOR NOTICE - Whilst every effort has been made to ensure the accuracy of the information supplied herein, Burnett & Hillman cannot be held responsible for any errors or omissions (E&OE)

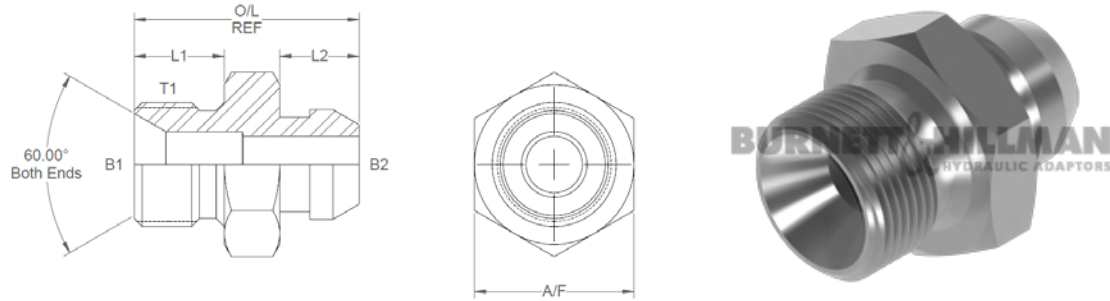
All dimensions are imperial unless stated.



	T1	T2	B1	B2	L1	L2	O/L	A/F
21445	5/8	1/2	0.562	0.375	0.7	0.528	1.688	30mm
21446	5/8	5/8	0.5	0.5	0.7	0.5	1.565	30mm
21447	5/8	3/4	0.562	0.562	0.7	0.5	1.61	30mm
21448	3/4	3/8	0.659	0.271	0.75	0.512	1.672	32mm
21449	3/4	1/2	0.659	0.375	0.75	0.528	1.688	32mm
21450	3/4	5/8	0.659	0.464	0.75	0.5	1.68	32mm
21451	3/4	3/4	0.659	0.6	0.75	0.5	1.66	32mm
21453	3/4	1	0.659	0.659	0.75	0.548	1.728	1.5
21452	3/4	1-1/4	0.659	1.014	0.75	0.61	1.86	46mm
21454	1	1/2	0.875	0.375	0.8	0.528	1.828	41mm
21455	1	5/8	0.875	0.5	0.8	0.5	1.8	41mm
21456	1	3/4	0.875	0.6	0.8	0.5	1.8	41mm
21458	1	1	0.875	0.797	0.8	0.548	1.778	41mm
21463	1	1-1/4	0.875	0.875	0.8	0.61	1.91	50mm
21459	1-1/4	1/2	1.125	0.375	0.8	0.528	1.853	50mm
21469	1-1/4	3/4	1.125	0.6	0.8	0.5	1.825	50mm
21460	1-1/4	1	1.125	0.797	0.8	0.548	1.873	50mm
21461	1-1/4	1-1/4	1.125	1.014	0.8	0.61	1.94	50mm
21462	1-1/4	1-1/2	1.125	1.201	0.8	0.75	2.07	50mm
21464	1-1/2	1	1.312	0.797	0.85	0.548	1.978	55mm

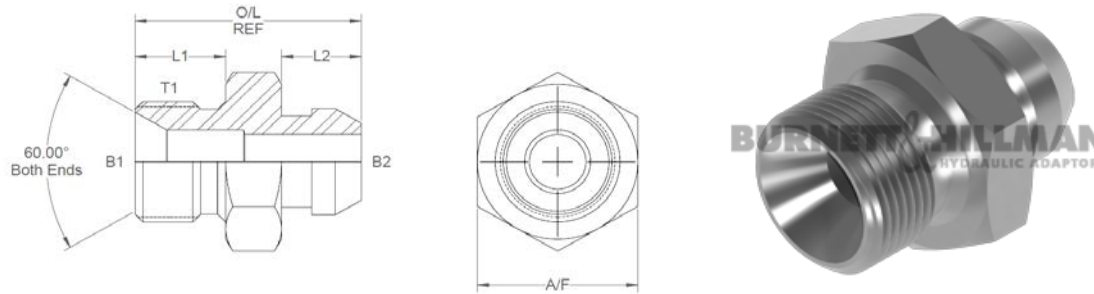
DESIGN DETAILS AND SPECIFICATIONS SUBJECT TO CHANGE WITHOUT PRIOR NOTICE - Whilst every effort has been made to ensure the accuracy of the information supplied herein, Burnett & Hillman cannot be held responsible for any errors or omissions (E&OE)

All dimensions are imperial unless stated.



	T1	T2	B1	B2	L1	L2	O/L	A/F
21465	1-1/2	1-1/4	1.312	1.014	0.85	0.61	2.04	55mm
21466	1-1/2	1-1/2	1.312	1.201	0.85	0.75	2.18	55mm
21471	1-1/2	2	1.312	1.703	0.85	0.812	2.262	65mm
21467	2	2	1.812	1.703	1	0.812	2.412	70mm

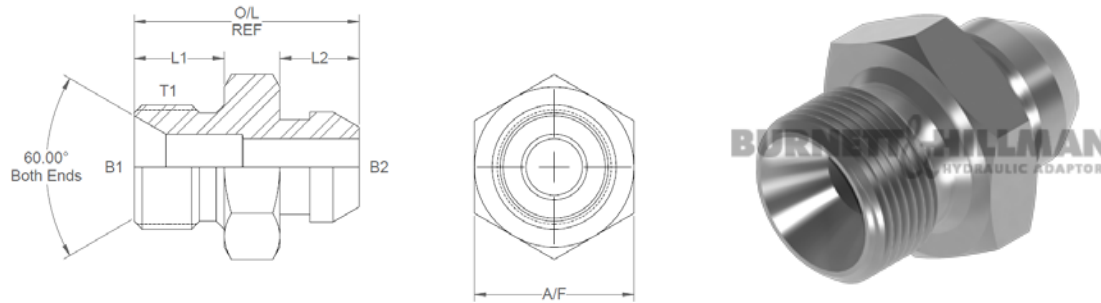
A/F dimensions are imperial unless stated.



	T1	T2	B1	B2	L1	L2	O/L	A/F
21425	1/8	1/8	3.48	3.18	11.18	8.89	28.45	14mm
21426	1/8	1/4	3.48	3.48	11.18	10.41	29.21	17mm
21428	1/4	1/8	4.7	3.18	11.43	8.89	27.94	19mm
21427	1/4	1/4	4.7	4.37	11.43	10.41	29.46	19mm
21429	1/4	3/8	4.7	4.7	11.43	13	31.55	19mm
21430	1/4	1/2	4.7	4.7	11.43	13.41	34.75	22mm
21431	1/4	3/4	6.35	15.47	11.43	12.7	34.29	30mm
21433	3/8	1/4	7.92	4.37	13.21	10.41	31.75	22mm
21434	3/8	3/8	7.92	6.88	13.21	13	34.34	22mm
21435	3/8	1/2	7.92	7.92	13.21	13.41	34.62	22mm
21470	3/8	5/8	7.92	11.79	13.21	12.7	35.43	27mm
21436	3/8	3/4	7.92	7.92	13.21	12.7	35.43	30mm
21437	3/8	1	7.92	20.24	13.21	13.92	37.67	1.5
21438	1/2	1/4	11.1	4.37	15.24	10.41	35.05	27mm
21439	1/2	3/8	11.1	6.88	15.24	13	37.39	27mm
21440	1/2	1/2	11.1	9.53	15.24	13.41	38.05	27mm
21441	1/2	5/8	11.1	11.1	15.24	12.7	37.59	27mm
21442	1/2	3/4	11.1	11.1	15.24	12.7	38.35	30mm
21443	1/2	1	11.1	20.24	15.24	13.92	39.95	1.5
21444	5/8	3/8	15.06	7.52	17.78	13	41.2	30mm

DESIGN DETAILS AND SPECIFICATIONS SUBJECT TO CHANGE WITHOUT PRIOR NOTICE - Whilst every effort has been made to ensure the accuracy of the information supplied herein, Burnett & Hillman cannot be held responsible for any errors or omissions (E&OE)

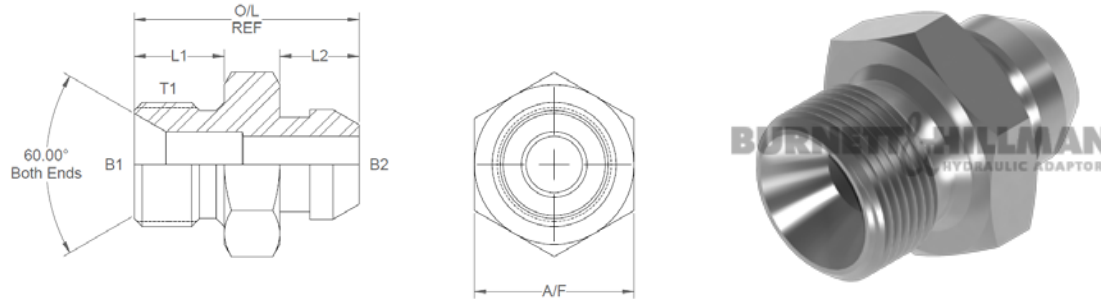
A/F dimensions are imperial unless stated.



	T1	T2	B1	B2	L1	L2	O/L	A/F
21445	5/8	1/2	14.27	9.53	17.78	13.41	42.88	30mm
21446	5/8	5/8	12.7	12.7	17.78	12.7	39.75	30mm
21447	5/8	3/4	14.27	14.27	17.78	12.7	40.89	30mm
21448	3/4	3/8	16.74	6.88	19.05	13	42.47	32mm
21449	3/4	1/2	16.74	9.53	19.05	13.41	42.88	32mm
21450	3/4	5/8	16.74	11.79	19.05	12.7	42.67	32mm
21451	3/4	3/4	16.74	15.24	19.05	12.7	42.16	32mm
21453	3/4	1	16.74	16.74	19.05	13.92	43.89	1.5
21452	3/4	1-1/4	16.74	25.76	19.05	15.49	47.24	46mm
21454	1	1/2	22.23	9.53	20.32	13.41	46.43	41mm
21455	1	5/8	22.23	12.7	20.32	12.7	45.72	41mm
21456	1	3/4	22.23	15.24	20.32	12.7	45.72	41mm
21458	1	1	22.23	20.24	20.32	13.92	45.16	41mm
21463	1	1-1/4	22.23	22.23	20.32	15.49	48.51	50mm
21459	1-1/4	1/2	28.58	9.53	20.32	13.41	47.07	50mm
21469	1-1/4	3/4	28.58	15.24	20.32	12.7	46.36	50mm
21460	1-1/4	1	28.58	20.24	20.32	13.92	47.57	50mm
21461	1-1/4	1-1/4	28.58	25.76	20.32	15.49	49.28	50mm
21462	1-1/4	1-1/2	28.58	30.51	20.32	19.05	52.58	50mm
21464	1-1/2	1	33.32	20.24	21.59	13.92	50.24	55mm

DESIGN DETAILS AND SPECIFICATIONS SUBJECT TO CHANGE WITHOUT PRIOR NOTICE - Whilst every effort has been made to ensure the accuracy of the information supplied herein, Burnett & Hillman cannot be held responsible for any errors or omissions (E&OE)

A/F dimensions are imperial unless stated.



	T1	T2	B1	B2	L1	L2	O/L	A/F
21465	1-1/2	1-1/4	33.32	25.76	21.59	15.49	51.82	55mm
21466	1-1/2	1-1/2	33.32	30.51	21.59	19.05	55.37	55mm
21471	1-1/2	2	33.32	43.26	21.59	20.62	57.45	65mm
21467	2	2	46.02	43.26	25.4	20.62	61.26	70mm