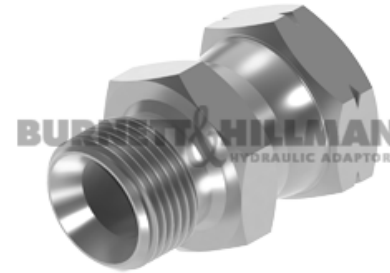
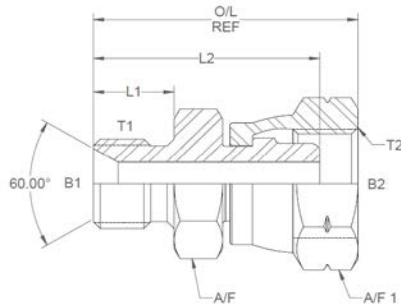


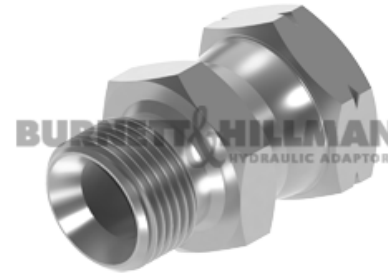
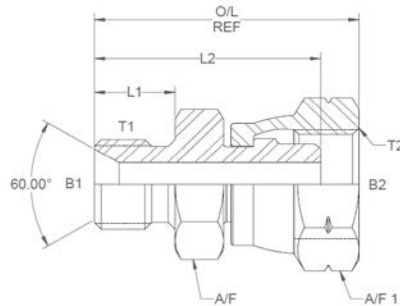
All dimensions are imperial unless stated.



	T1	T2	B1	B2	L1	L2	O/L	A/F	A/F1
01500	1/4	M12 x 1.5	0.185	0.125	0.45	1.21	1.4	19mm	17mm
01501	1/4	M14 x 1.5	0.185	0.203	0.45	1.28	1.42	19mm	19mm
01502	1/4	M16 x 1.5	0.185	0.281	0.45	1.261	1.49	19mm	22mm
01514	1/4	M18 x 1.5	0.185	0.25	0.45	1.312	1.5	19mm	24mm
01516	3/8	M12 x 1.5	0.375	0.125	0.52	1.27	1.42	0.92	0.687
01504	3/8	M14 x 1.5	0.312	0.203	0.52	1.34	1.49	22mm	19mm
01503	3/8	M16 x 1.5	0.375	0.281	0.52	1.28	1.52	22mm	22mm
01505	3/8	M18 x 1.5	0.312	0.312	0.52	1.362	1.55	22mm	24mm
01506	3/8	M20 x 1.5	0.312	0.281	0.52	1.387	1.578	22mm	27mm
01507	3/8	M22 x 1.5	0.312	0.312	0.52	1.422	1.66	24mm	27mm
01515	1/2	M14 x 1.5	0.5	0.203	0.6	1.445	1.62	27mm	19mm
01508	1/2	M16 x 1.5	0.437	0.281	0.6	1.416	1.65	27mm	22mm
01509	1/2	M18 x 1.5	0.437	0.343	0.6	1.467	1.66	27mm	24mm
01510	1/2	M20 x 1.5	0.437	0.281	0.6	1.467	1.66	27mm	27mm
01511	1/2	M22 x 1.5	0.437	0.437	0.6	1.482	1.69	27mm	27mm
01517	1/2	M24 x 1.5	0.437	0.406	0.6	1.527	1.71	27mm	30mm
01519	1/2	M26 x 1.5	0.5	0.59	0.6	1.505	1.76	27mm	32mm
01513	5/8	M22 x 1.5	0.593	0.437	0.7	1.612	1.84	30mm	27mm
01498	3/4	M18 x 1.5	0.718	0.343	0.75	1.66	1.84	32mm	24mm
01499	3/4	M20 x 1.5	0.718	0.281	0.75	1.67	1.85	32mm	27mm
01512	3/4	M22 x 1.5	0.659	0.437	0.75	1.662	1.89	32mm	27mm

DESIGN DETAILS AND SPECIFICATIONS SUBJECT TO CHANGE WITHOUT PRIOR NOTICE - Whilst every effort has been made to ensure the accuracy of the information supplied herein, Burnett & Hillman cannot be held responsible for any errors or omissions (E&OE)

A/F dimensions are imperial unless stated.



	T1	T2	B1	B2	L1	L2	O/L	A/F	A/F1
01500	1/4	M12 x 1.5	4.7	3.18	11.43	30.73	35.56	19mm	17mm
01501	1/4	M14 x 1.5	4.7	5.16	11.43	32.51	36.07	19mm	19mm
01502	1/4	M16 x 1.5	4.7	7.14	11.43	32.03	37.85	19mm	22mm
01514	1/4	M18 x 1.5	4.7	6.35	11.43	33.32	38.1	19mm	24mm
01516	3/8	M12 x 1.5	9.53	3.18	13.21	32.26	36.07	0.92	0.687
01504	3/8	M14 x 1.5	7.92	5.16	13.21	34.04	37.85	22mm	19mm
01503	3/8	M16 x 1.5	9.53	7.14	13.21	32.51	38.61	22mm	22mm
01505	3/8	M18 x 1.5	7.92	7.92	13.21	34.59	39.37	22mm	24mm
01506	3/8	M20 x 1.5	7.92	7.14	13.21	35.23	40.08	22mm	27mm
01507	3/8	M22 x 1.5	7.92	7.92	13.21	36.12	42.16	24mm	27mm
01515	1/2	M14 x 1.5	12.7	5.16	15.24	36.7	41.15	27mm	19mm
01508	1/2	M16 x 1.5	11.1	7.14	15.24	35.97	41.91	27mm	22mm
01509	1/2	M18 x 1.5	11.1	8.71	15.24	37.26	42.16	27mm	24mm
01510	1/2	M20 x 1.5	11.1	7.14	15.24	37.26	42.16	27mm	27mm
01511	1/2	M22 x 1.5	11.1	11.1	15.24	37.64	42.93	27mm	27mm
01517	1/2	M24 x 1.5	11.1	10.31	15.24	38.79	43.43	27mm	30mm
01519	1/2	M26 x 1.5	12.7	14.99	15.24	38.23	44.7	27mm	32mm
01513	5/8	M22 x 1.5	15.06	11.1	17.78	40.94	46.74	30mm	27mm
01498	3/4	M18 x 1.5	18.24	8.71	19.05	42.16	46.74	32mm	24mm
01499	3/4	M20 x 1.5	18.24	7.14	19.05	42.42	46.99	32mm	27mm

DESIGN DETAILS AND SPECIFICATIONS SUBJECT TO CHANGE WITHOUT PRIOR NOTICE - Whilst every effort has been made to ensure the accuracy of the information supplied herein, Burnett & Hillman cannot be held responsible for any errors or omissions (E&OE)