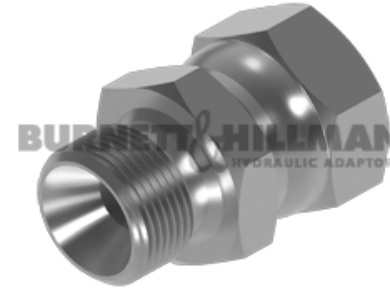
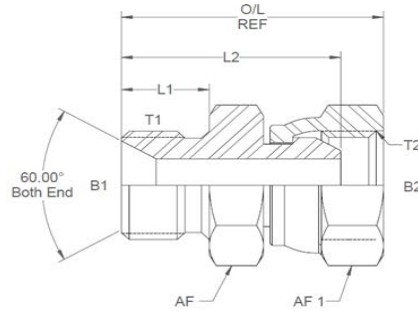


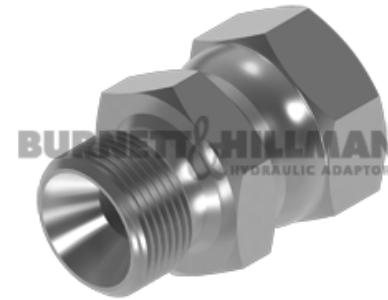
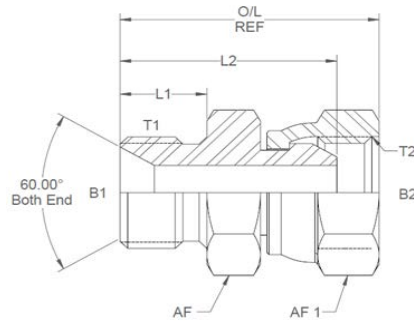
All dimensions are imperial unless stated.



	T1	T2	B1	B2	L1	L2	O/L	A/F	A/F1
01425	1/8	1/8	0.137	0.125	0.44	1.12	1.32	14mm	14mm
01426	1/8	1/4	0.137	0.137	0.44	1.14	1.35	17mm	19mm
01476	1/8	3/8	0.137	0.271	0.44	1.26	1.51	22mm	22mm
01428	1/4	1/8	0.185	0.125	0.45	1.1	1.264	19mm	14mm
01427	1/4	1/4	0.185	0.172	0.45	1.16	1.364	19mm	19mm
01429	1/4	3/8	0.185	0.185	0.45	1.242	1.51	19mm	22mm
01430	1/4	1/2	0.185	0.185	0.45	1.368	1.657	22mm	27mm
01431	1/4	3/4	0.25	0.609	0.45	1.35	1.74	30mm	32mm
01432	3/8	1/8	0.312	0.125	0.52	1.17	1.36	22mm	14mm
01433	3/8	1/4	0.312	0.172	0.52	1.25	1.464	22mm	19mm
01434	3/8	3/8	0.312	0.271	0.52	1.352	1.62	22mm	22mm
01435	3/8	1/2	0.312	0.312	0.52	1.363	1.65	22mm	27mm
01470	3/8	5/8	0.312	0.464	0.52	1.395	1.8	27mm	30mm
01436	3/8	3/4	0.312	0.312	0.52	1.395	1.8	30mm	32mm
01437	3/8	1	0.312	0.797	0.52	1.483	1.9	1.5	41mm
01438	1/2	1/4	0.437	0.172	0.6	1.38	1.6	27mm	19mm
01439	1/2	3/8	0.437	0.271	0.6	1.472	1.725	27mm	22mm
01440	1/2	1/2	0.437	0.375	0.6	1.498	1.8	27mm	27mm
01441	1/2	5/8	0.437	0.437	0.6	1.48	1.9	27mm	30mm

DESIGN DETAILS AND SPECIFICATIONS SUBJECT TO CHANGE WITHOUT PRIOR NOTICE - Whilst every effort has been made to ensure the accuracy of the information supplied herein, Burnett & Hillman cannot be held responsible for any errors or omissions (E&OE)

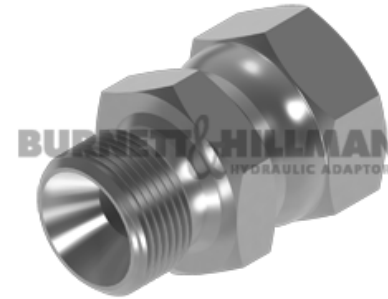
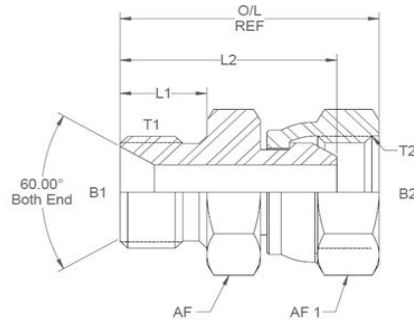
All dimensions are imperial unless stated.



	T1	T2	B1	B2	L1	L2	O/L	A/F	A/F1
01442	1/2	3/4	0.437	0.437	0.6	1.51	1.92	30mm	32mm
01443	1/2	1	0.437	0.797	0.6	1.573	2	1.5	41mm
01457	5/8	1/4	0.5	0.172	0.7	1.475	1.724	1.1	0.71
01444	5/8	3/8	0.593	0.296	0.7	1.622	1.862	30mm	22mm
01445	5/8	1/2	0.562	0.375	0.7	1.688	1.98	30mm	27mm
01446	5/8	5/8	0.5	0.5	0.7	1.565	1.98	30mm	30mm
01447	5/8	3/4	0.562	0.562	0.7	1.61	2	30mm	32mm
01481	5/8	1	0.562	0.797	0.7	1.673	2.1	1.5	41mm
01487	5/8	1-1/2	0.562	1.312	0.7	1.9	2.38	50mm	55mm
01468	3/4	1/4	0.687	0.172	0.75	1.57	1.782	32mm	19mm
01448	3/4	3/8	0.659	0.271	0.75	1.672	1.93	32mm	22mm
01449	3/4	1/2	0.659	0.375	0.75	1.688	1.99	32mm	27mm
01450	3/4	5/8	0.659	0.464	0.75	1.68	2.06	32mm	30mm
01451	3/4	3/4	0.659	0.6	0.75	1.66	2.04	32mm	32mm
01453	3/4	1	0.659	0.659	0.75	1.728	2.17	1.5	41mm
01452	3/4	1-1/4	0.659	1.014	0.75	1.86	2.3	46mm	50mm
01482	3/4	1-1/2	0.659	1.201	0.75	2.08	2.6	50mm	55mm
01484	1	3/8	0.875	0.271	0.8	1.812	2.08	41mm	22mm
01454	1	1/2	0.875	0.375	0.8	1.828	2.11	41mm	27mm

DESIGN DETAILS AND SPECIFICATIONS SUBJECT TO CHANGE WITHOUT PRIOR NOTICE - Whilst every effort has been made to ensure the accuracy of the information supplied herein, Burnett & Hillman cannot be held responsible for any errors or omissions (E&OE)

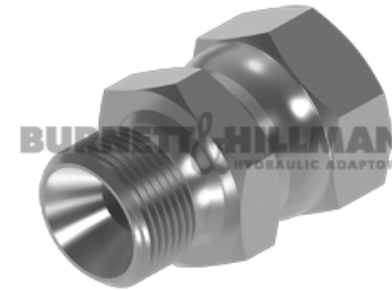
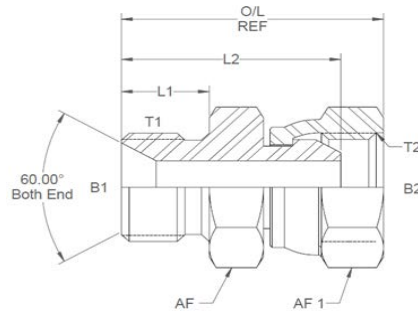
All dimensions are imperial unless stated.



	T1	T2	B1	B2	L1	L2	O/L	A/F	A/F1
01455	1	5/8	0.875	0.5	0.8	1.8	2.24	41mm	30mm
01456	1	3/4	0.875	0.6	0.8	1.8	2.19	41mm	32mm
01458	1	1	0.875	0.797	0.8	1.778	2.23	41mm	41mm
01463	1	1-1/4	0.875	0.875	0.8	1.91	2.36	50mm	50mm
01472	1	1-1/2	0.875	1.201	0.8	2.05	2.5	50mm	55mm
01479	1	2	0.875	1.703	0.8	2.212	2.86	65mm	70mm
01459	1-1/4	1/2	1.125	0.375	0.8	1.853	2.15	50mm	27mm
01469	1-1/4	3/4	1.125	0.6	0.8	1.825	2.21	50mm	32mm
01460	1-1/4	1	1.125	0.797	0.8	1.873	2.32	50mm	41mm
01461	1-1/4	1-1/4	1.125	1.014	0.8	1.94	2.41	50mm	50mm
01462	1-1/4	1-1/2	1.125	1.201	0.8	2.07	2.6	50mm	55mm
01477	1-1/4	2	1.125	1.703	0.8	2.212	2.87	65mm	70mm
01464	1-1/2	1	1.312	0.797	0.85	1.978	2.42	55mm	41mm
01465	1-1/2	1-1/4	1.312	1.014	0.85	2.04	2.5	55mm	50mm
01466	1-1/2	1-1/2	1.312	1.201	0.85	2.18	2.7	55mm	55mm
01471	1-1/2	2	1.312	1.703	0.85	2.262	2.96	65mm	70mm
01475	2	1-1/4	1.75	1.047	1	2.21	2.64	70mm	50mm
01474	2	1-1/2	1.75	1.201	1	2.35	2.85	70mm	55mm
01467	2	2	1.812	1.703	1	2.412	3.08	70mm	70mm

DESIGN DETAILS AND SPECIFICATIONS SUBJECT TO CHANGE WITHOUT PRIOR NOTICE - Whilst every effort has been made to ensure the accuracy of the information supplied herein, Burnett & Hillman cannot be held responsible for any errors or omissions (E&OE)

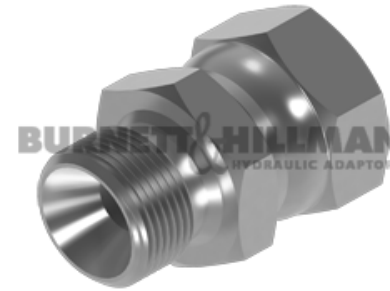
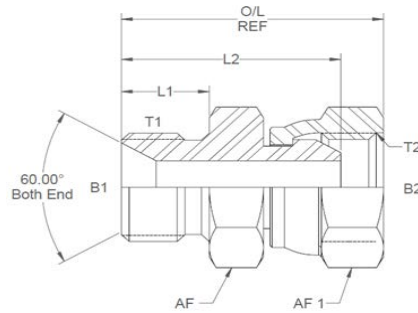
A/F dimensions are imperial unless stated.



	T1	T2	B1	B2	L1	L2	O/L	A/F	A/F1
01425	1/8	1/8	3.48	3.18	11.18	28.45	33.53	14mm	14mm
01426	1/8	1/4	3.48	3.48	11.18	28.96	34.29	17mm	19mm
01476	1/8	3/8	3.48	6.88	11.18	32	38.35	22mm	22mm
01428	1/4	1/8	4.7	3.18	11.43	27.94	32.11	19mm	14mm
01427	1/4	1/4	4.7	4.37	11.43	29.46	34.65	19mm	19mm
01429	1/4	3/8	4.7	4.7	11.43	31.55	38.35	19mm	22mm
01430	1/4	1/2	4.7	4.7	11.43	34.75	42.09	22mm	27mm
01431	1/4	3/4	6.35	15.47	11.43	34.29	44.2	30mm	32mm
01432	3/8	1/8	7.92	3.18	13.21	29.72	34.54	22mm	14mm
01433	3/8	1/4	7.92	4.37	13.21	31.75	37.19	22mm	19mm
01434	3/8	3/8	7.92	6.88	13.21	34.34	41.15	22mm	22mm
01435	3/8	1/2	7.92	7.92	13.21	34.62	41.91	22mm	27mm
01470	3/8	5/8	7.92	11.79	13.21	35.43	45.72	27mm	30mm
01436	3/8	3/4	7.92	7.92	13.21	35.43	45.72	30mm	32mm
01437	3/8	1	7.92	20.24	13.21	37.67	48.26	1.5	41mm
01438	1/2	1/4	11.1	4.37	15.24	35.05	40.64	27mm	19mm
01439	1/2	3/8	11.1	6.88	15.24	37.39	43.82	27mm	22mm
01440	1/2	1/2	11.1	9.53	15.24	38.05	45.72	27mm	27mm
01441	1/2	5/8	11.1	11.1	15.24	37.59	48.26	27mm	30mm

DESIGN DETAILS AND SPECIFICATIONS SUBJECT TO CHANGE WITHOUT PRIOR NOTICE - Whilst every effort has been made to ensure the accuracy of the information supplied herein, Burnett & Hillman cannot be held responsible for any errors or omissions (E&OE)

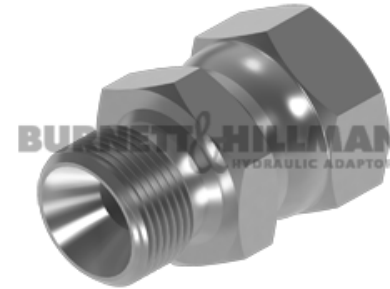
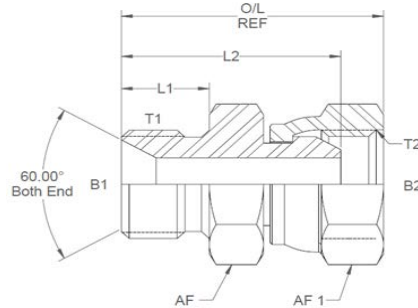
A/F dimensions are imperial unless stated.



	T1	T2	B1	B2	L1	L2	O/L	A/F	A/F1
01442	1/2	3/4	11.1	11.1	15.24	38.35	48.77	30mm	32mm
01443	1/2	1	11.1	20.24	15.24	39.95	50.8	1.5	41mm
01457	5/8	1/4	12.7	4.37	17.78	37.47	43.79	1.1	0.71
01444	5/8	3/8	15.06	7.52	17.78	41.2	47.29	30mm	22mm
01445	5/8	1/2	14.27	9.53	17.78	42.88	50.29	30mm	27mm
01446	5/8	5/8	12.7	12.7	17.78	39.75	50.29	30mm	30mm
01447	5/8	3/4	14.27	14.27	17.78	40.89	50.8	30mm	32mm
01481	5/8	1	14.27	20.24	17.78	42.49	53.34	1.5	41mm
01487	5/8	1-1/2	14.27	33.32	17.78	48.26	60.45	50mm	55mm
01468	3/4	1/4	17.45	4.37	19.05	39.88	45.26	32mm	19mm
01448	3/4	3/8	16.74	6.88	19.05	42.47	49.02	32mm	22mm
01449	3/4	1/2	16.74	9.53	19.05	42.88	50.55	32mm	27mm
01450	3/4	5/8	16.74	11.79	19.05	42.67	52.32	32mm	30mm
01451	3/4	3/4	16.74	15.24	19.05	42.16	51.82	32mm	32mm
01453	3/4	1	16.74	16.74	19.05	43.89	55.12	1.5	41mm
01452	3/4	1-1/4	16.74	25.76	19.05	47.24	58.42	46mm	50mm
01482	3/4	1-1/2	16.74	30.51	19.05	52.83	66.04	50mm	55mm
01484	1	3/8	22.23	6.88	20.32	46.02	52.83	41mm	22mm
01454	1	1/2	22.23	9.53	20.32	46.43	53.59	41mm	27mm

DESIGN DETAILS AND SPECIFICATIONS SUBJECT TO CHANGE WITHOUT PRIOR NOTICE - Whilst every effort has been made to ensure the accuracy of the information supplied herein, Burnett & Hillman cannot be held responsible for any errors or omissions (E&OE)

A/F dimensions are imperial unless stated.



	T1	T2	B1	B2	L1	L2	O/L	A/F	A/F1
01455	1	5/8	22.23	12.7	20.32	45.72	56.9	41mm	30mm
01456	1	3/4	22.23	15.24	20.32	45.72	55.63	41mm	32mm
01458	1	1	22.23	20.24	20.32	45.16	56.64	41mm	41mm
01463	1	1-1/4	22.23	22.23	20.32	48.51	59.94	50mm	50mm
01472	1	1-1/2	22.23	30.51	20.32	52.07	63.5	50mm	55mm
01479	1	2	22.23	43.26	20.32	56.18	72.64	65mm	70mm
01459	1-1/4	1/2	28.58	9.53	20.32	47.07	54.61	50mm	27mm
01469	1-1/4	3/4	28.58	15.24	20.32	46.36	56.13	50mm	32mm
01460	1-1/4	1	28.58	20.24	20.32	47.57	58.93	50mm	41mm
01461	1-1/4	1-1/4	28.58	25.76	20.32	49.28	61.21	50mm	50mm
01462	1-1/4	1-1/2	28.58	30.51	20.32	52.58	66.04	50mm	55mm
01477	1-1/4	2	28.58	43.26	20.32	56.18	72.9	65mm	70mm
01464	1-1/2	1	33.32	20.24	21.59	50.24	61.47	55mm	41mm
01465	1-1/2	1-1/4	33.32	25.76	21.59	51.82	63.5	55mm	50mm
01466	1-1/2	1-1/2	33.32	30.51	21.59	55.37	68.58	55mm	55mm
01471	1-1/2	2	33.32	43.26	21.59	57.45	75.18	65mm	70mm
01475	2	1-1/4	44.45	26.59	25.4	56.13	67.06	70mm	50mm
01474	2	1-1/2	44.45	30.51	25.4	59.69	72.39	70mm	55mm
01467	2	2	46.02	43.26	25.4	61.26	78.23	70mm	70mm

DESIGN DETAILS AND SPECIFICATIONS SUBJECT TO CHANGE WITHOUT PRIOR NOTICE - Whilst every effort has been made to ensure the accuracy of the information supplied herein, Burnett & Hillman cannot be held responsible for any errors or omissions (E&OE)