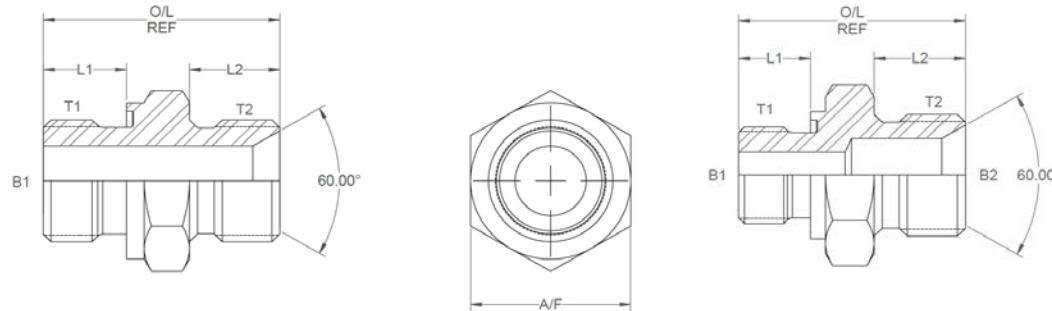
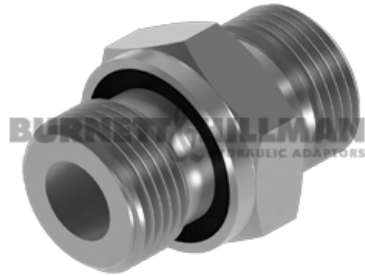


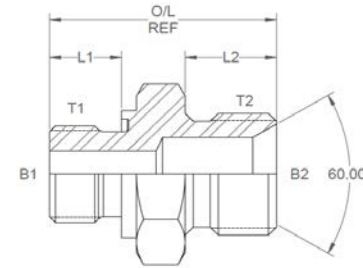
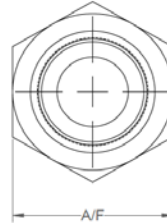
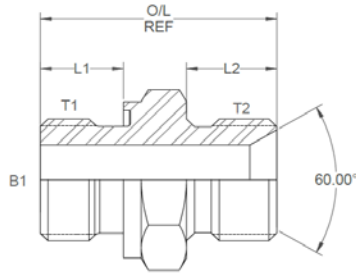
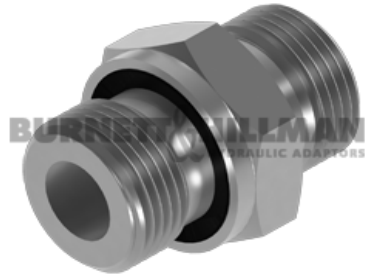
All dimensions are imperial unless stated.



	T1	T2	B1	B2	L1	L2	O/L	A/F
00002-02-CS	1/8	1/4	0.158	0.25	0.315	0.45	1.08	19mm
00005-CS	1/4	1/4	0.197		0.472	0.45	1.251	19mm
00006-04-CS	1/4	3/8	0.197	0.375	0.472	0.52	1.321	22mm
00007-04-CS	1/4	1/2	0.197	0.5	0.472	0.6	1.44	27mm
00006-06-CS	3/8	1/4	0.354	0.185	0.472	0.45	1.271	22mm
00014-CS	3/8	3/8	0.315		0.472	0.472	1.337	22mm
00015-06-CS	3/8	1/2	0.315	0.437	0.472	0.6	1.49	27mm
00007-08-CS	1/2	1/4	0.437	0.25	0.551	0.45	1.38	27mm
00015-08-CS	1/2	3/8	0.437	0.312	0.551	0.52	1.489	27mm
00021-CS	1/2	1/2	0.472	0.437	0.551	0.6	1.569	27mm
00023-08-CS	1/2	3/4	0.472	0.718	0.551	0.75	1.729	32mm
00024-08-CS	1/2	1	0.437	0.875	0.551	0.8	1.82	41mm
00023-12-CS	3/4	1/2	0.63	0.5	0.63	0.55	1.648	32mm
00032-CS	3/4	3/4	0.659		0.63	0.63	1.688	32mm
00033-12-CS	3/4	1	0.63	0.875	0.63	0.8	1.898	41mm
00024-16-CS	1	1/2	0.787	0.5	0.709	0.6	1.8	41mm
00033-16-CS	1	3/4	0.787	0.659	0.709	0.75	1.927	41mm
00037-CS	1	1	0.787		0.709	0.8	1.977	41mm
00043-24-CS	1-1/2	1-1/4	1.417	1.125	0.866	0.8	2.224	55mm
00045-CS	1-1/2	1-1/2	1.312		0.866	0.85	2.274	55mm

DESIGN DETAILS AND SPECIFICATIONS SUBJECT TO CHANGE WITHOUT PRIOR NOTICE - Whilst every effort has been made to ensure the accuracy of the information supplied herein, Burnett & Hillman cannot be held responsible for any errors or omissions (E&OE)

A/F dimensions are imperial unless stated.



	T1	T2	B1	B2	L1	L2	O/L	A/F
00002-02-CS	1/8	1/4	4.01	6.35	8.00	11.43	27.43	19mm
00005-CS	1/4	1/4	5		11.99	11.43	31.78	19mm
00006-04-CS	1/4	3/8	5	9.53	11.99	13.21	33.55	22mm
00007-04-CS	1/4	1/2	5	12.70	11.99	15.24	36.58	27mm
00006-06-CS	3/8	1/4	8.99	4.70	11.99	11.43	32.28	22mm
00014-CS	3/8	3/8	8		11.99	11.99	33.96	22mm
00015-06-CS	3/8	1/2	8.00	11.10	11.99	15.24	37.85	27mm
00007-08-CS	1/2	1/4	11.10	6.35	14.00	11.43	35.05	27mm
00015-08-CS	1/2	3/8	11.10	7.92	14.00	13.21	37.82	27mm
00021-CS	1/2	1/2	11.99	11.10	14.00	15.24	39.85	27mm
00023-08-CS	1/2	3/4	11.99	18.24	14.00	19.05	43.92	32mm
00024-08-CS	1/2	1	11.10	22.23	14.00	20.32	46.23	41mm
00023-12-CS	3/4	1/2	16.00	12.70	16.00	13.97	41.86	32mm
00032-CS	3/4	3/4	16.74		16.00	16.00	42.88	32mm
00033-12-CS	3/4	1	16.00	22.23	16.00	20.32	48.21	41mm
00024-16-CS	1	1/2	19.99	12.70	18.01	15.24	45.72	41mm
00033-16-CS	1	3/4	19.99	16.74	18.01	19.05	48.95	41mm
00037-CS	1	1	19.99		18.01	20.32	50.22	41mm
00043-24-CS	1-1/2	1-1/4	35.99	28.58	22.00	20.32	56.49	55mm
00045-CS	1-1/2	1-1/2	33.32		22.00	21.59	57.76	55mm

DESIGN DETAILS AND SPECIFICATIONS SUBJECT TO CHANGE WITHOUT PRIOR NOTICE - Whilst every effort has been made to ensure the accuracy of the information supplied herein, Burnett & Hillman cannot be held responsible for any errors or omissions (E&OE)