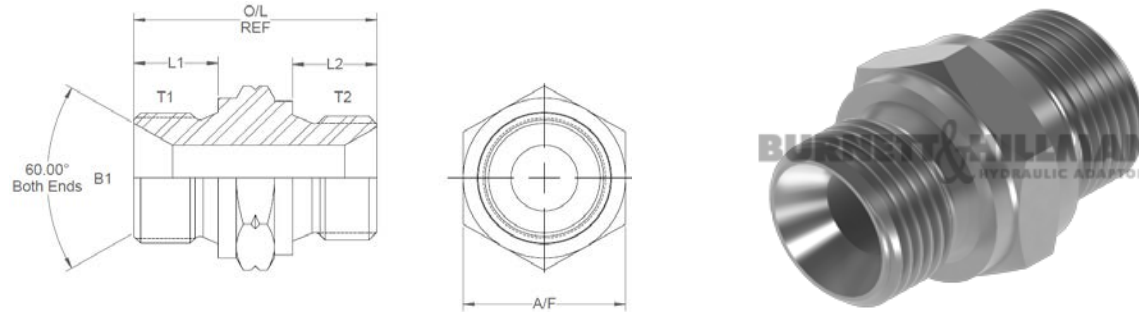


**METRIC male 1.5mm pitch x BSP male**  
**To DIN 3852 FORM A**

Nov-21  
 0153 IMP

All dimensions are imperial unless stated.

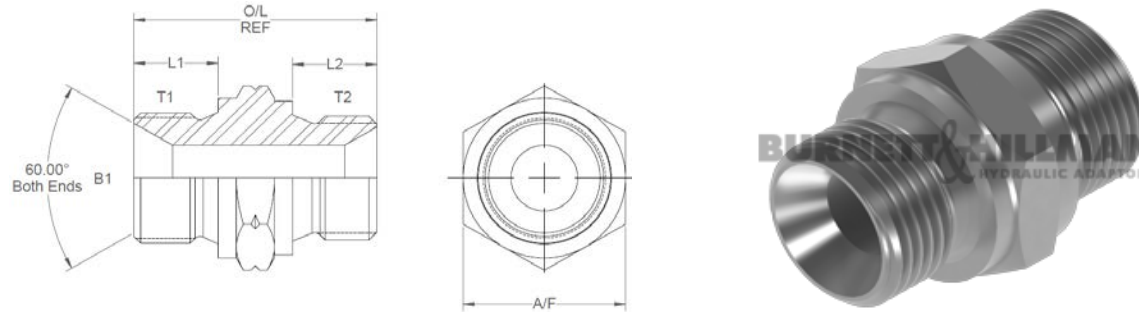


	T1	T2	B1	L1	L2	O/L	A/F
60500	M22 x 1.5	1/2	0.437	0.552	0.552	1.59	27mm

**METRIC male 1.5mm pitch x BSP male**  
**To DIN 3852 FORM A**

Nov-21  
0153 METRIC

A/F dimensions are imperial unless stated.



	T1	T2	B1	L1	L2	O/L	A/F
60500	M22 x 1.5	1/2	11.1	14.02	14.02	40.39	27mm