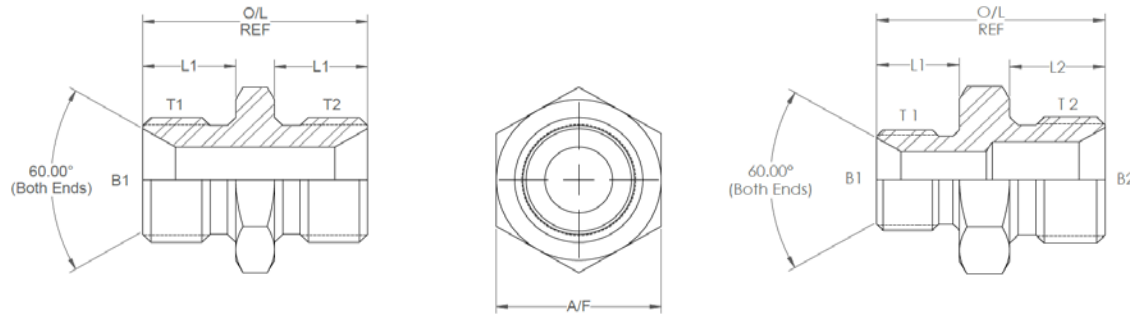
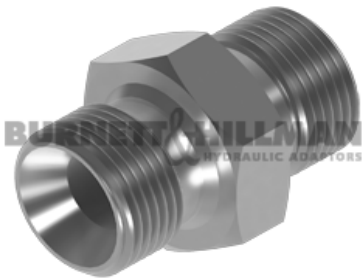
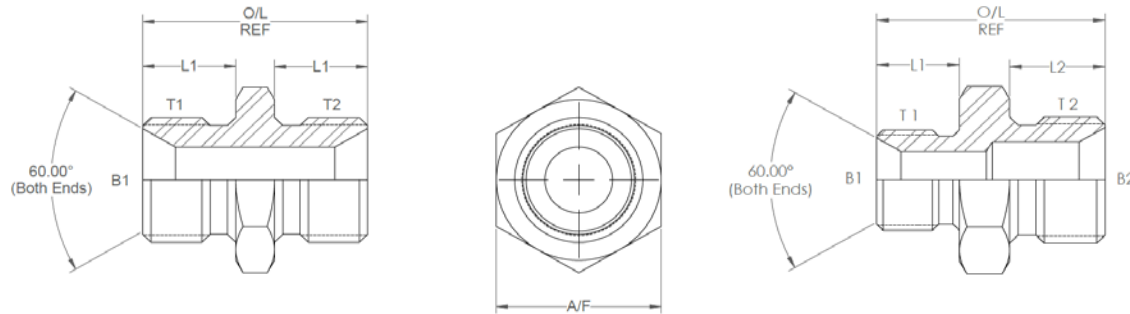


All dimensions are imperial unless stated.



	T1	T2	B1	B2	L1	L2	O/L	A/F
5200-04-04	1/4	1/4	0.185		0.433	0.433	1.142	19mm
5200-04-06	1/4	3/8	0.185	0.312	0.433	0.472	1.22	22mm
5200-06-06	3/8	3/8	0.312		0.472	0.472	1.259	22mm
5200-06-08	3/8	1/2	0	0	0	0	0	0
5200-08-08	1/2	1/2	0.437		0.551	0.551	1.496	27mm
5200-12-12	3/4	3/4	0.659		0.63	0.63	1.732	32mm

A/F dimensions are imperial unless stated.



	T1	T2	B1	B2	L1	L2	O/L	A/F
5200-04-04	1/4	1/4	4.70		11.00	11.00	29.01	19mm
5200-04-06	1/4	3/8	4.70	7.92	11.00	11.99	30.99	22mm
5200-06-06	3/8	3/8	7.92		11.99	11.99	31.98	22mm
5200-06-08	3/8	1/2	0.00	0.00	0.00	0.00	0.00	0
5200-08-08	1/2	1/2	11.10		14.00	14.00	38.00	27mm
5200-12-12	3/4	3/4	16.74		16.00	16.00	43.99	32mm