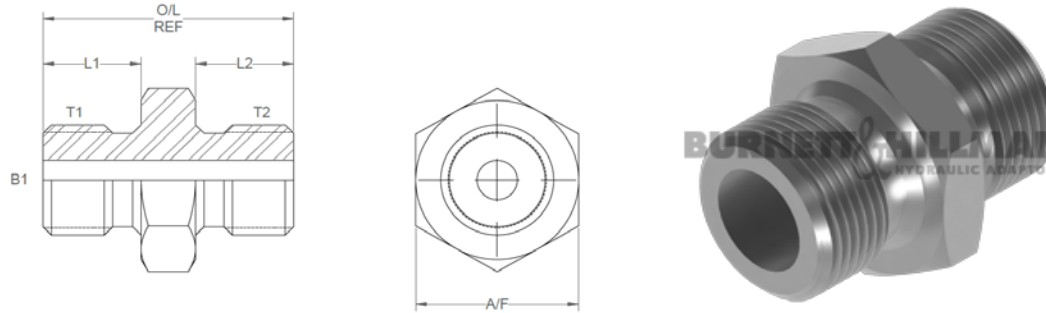


**BSP male x BSP male Flat Faced Full  
Thread Both Ends**

Nov-21  
0151 IMP

All dimensions are imperial unless stated.

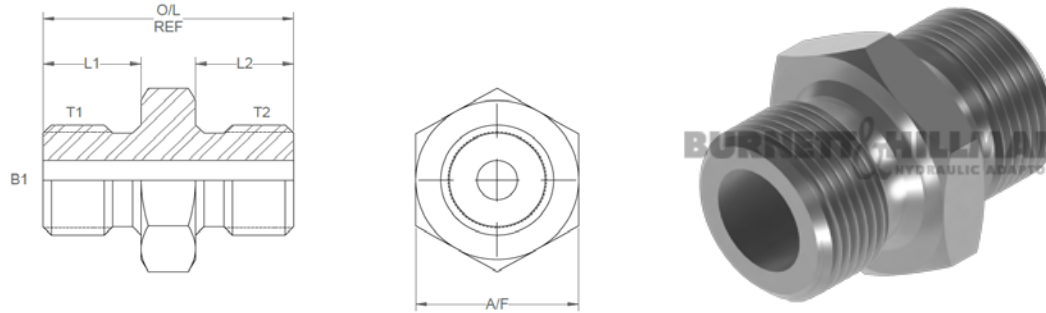


	T1	T2	B1	L1	L2	O/L	A/F
20005	1/4	1/4	0.185	0.45	0.45	1.15	19mm
20014	3/8	3/8	0.375	0.52	0.52	1.26	0.920
20021	1/2	1/2	0.437	0.6	0.6	1.45	27mm
20023	1/2	3/4	0	0	0	0	0
20032	3/4	3/4	0.659	0.75	0.75	1.81	32mm
20037	1	1	0.875	0.8	0.8	1.95	41mm
20045	1-1/2	1-1/2	1.312	0.85	0.85	2.15	55mm

**BSP male x BSP male Flat Faced Full  
Thread Both Ends**

Nov-21  
0151 METRIC

A/F dimensions are imperial unless stated.



	T1	T2	B1	L1	L2	O/L	A/F
20005	1/4	1/4	4.7	11.43	11.43	29.21	19mm
20014	3/8	3/8	9.53	13	13	32	0.920
20021	1/2	1/2	11.1	15.24	15.24	36.83	27mm
20023	1/2	3/4	0	0	0	0	0
20032	3/4	3/4	16.74	19.05	19.05	45.97	32mm
20037	1	1	22.23	20.32	20.32	49.53	41mm
20045	1-1/2	1-1/2	33.32	21.59	21.59	54.61	55mm