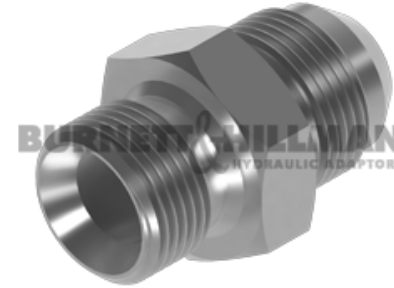
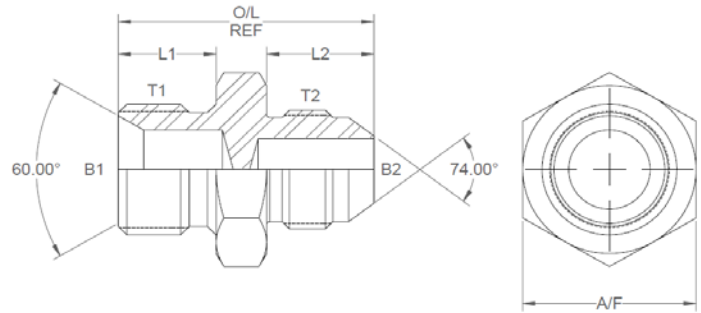
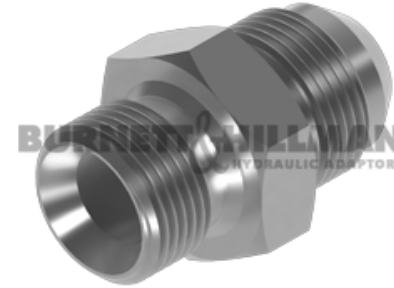
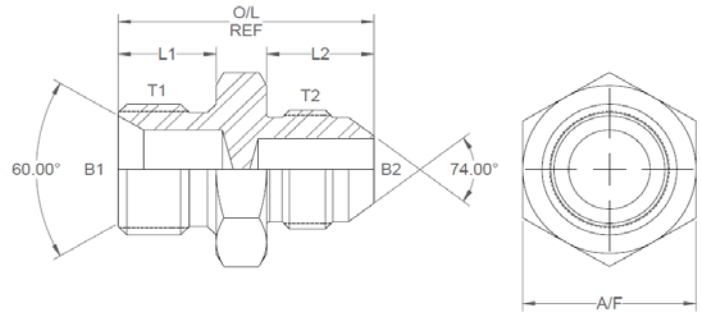


All dimensions are imperial unless stated.



	T1	T2	B1	B2	L1	L2	O/L	A/F
13229	1/8	7/16	0.185	0.172	0.440	0.550	1.200	0.6
13234	1/4	7/16	0.185	0.172	0.450	0.550	1.250	19mm
13230	1/4	9/16	0.250	0.297	0.450	0.556	1.276	19mm
13231	3/8	7/16	0.375	0.172	0.520	0.550	1.320	0.92
13232	3/8	9/16	0.312	0.297	0.520	0.556	1.346	22mm
13233	1/2	9/16	0.437	0.297	0.600	0.556	1.426	27mm
13238	1/2	3/4	0.500	0.391	0.600	0.657	1.567	27mm
13235	3/4	1-1/16	0.718	0.000	0.750	0.864	2.024	1.25

A/F dimensions are imperial unless stated.



	T1	T2	B1	B2	L1	L2	O/L	A/F
13229	1/8	7/16	4.7	4.37	11.18	13.97	30.48	0.6
13234	1/4	7/16	4.7	4.37	11.43	13.97	31.75	19mm
13230	1/4	9/16	6.35	7.54	11.43	14.12	32.41	19mm
13231	3/8	7/16	9.53	4.37	13.21	13.97	33.53	0.92
13232	3/8	9/16	7.92	7.54	13.21	14.12	34.19	22mm
13233	1/2	9/16	11.1	7.54	15.24	14.12	36.22	27mm
13238	1/2	3/4	12.70	9.93	15.24	16.69	39.80	27mm
13235	3/4	1-1/16	18.24	0.00	19.05	21.95	51.41	1.25