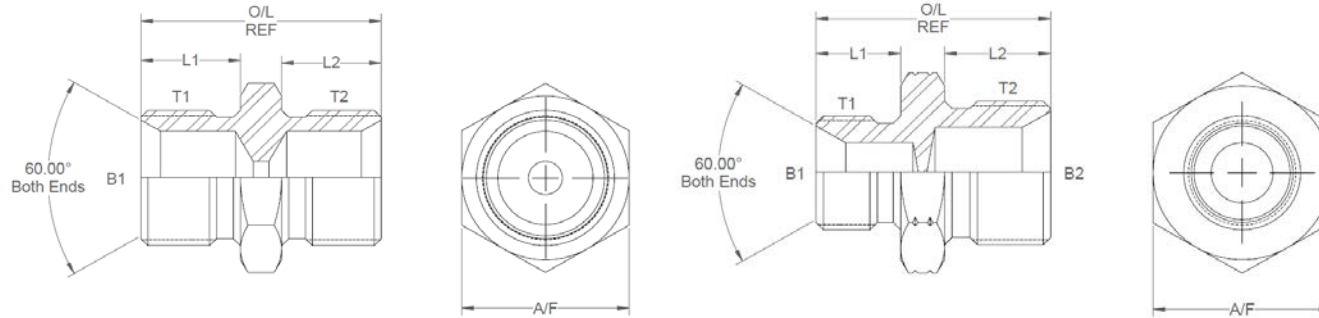
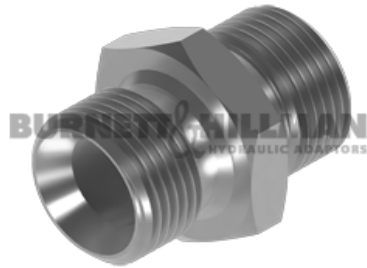
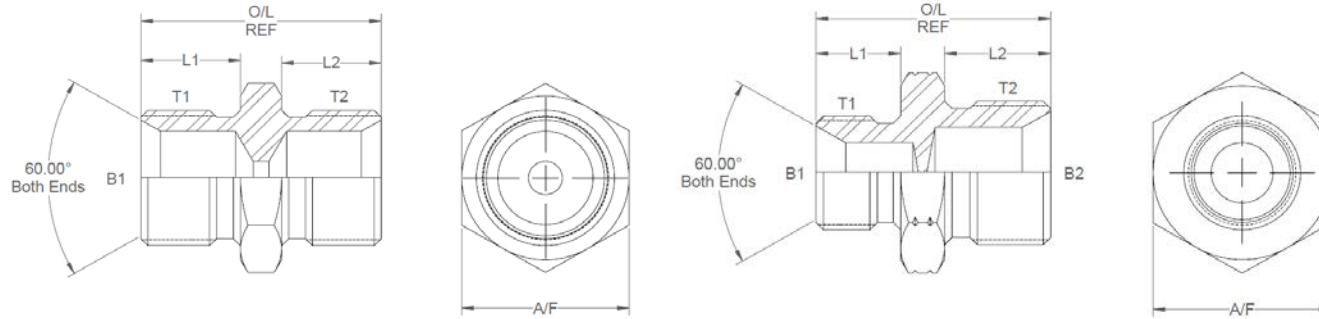
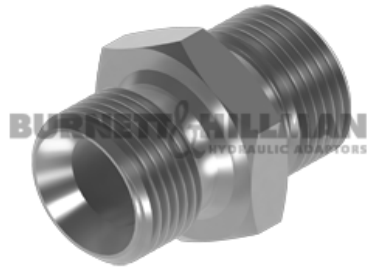


All dimensions are imperial unless stated.



	T1	T2	B1	B2	L1	L2	O/L	A/F
13119	1/8	1/4	0.156	0.197	0.440	0.450	1.160	19mm
13080	1/4	1/4	0.197	0.197	0.450	0.450	0.150	19mm
13081	1/4	3/8	0.197	0.312	0.450	0.520	1.210	22mm
13082	1/4	1/2	0.185	0.437	0.450	0.600	1.300	27mm
13083	3/8	3/8	0.312	0.312	0.520	0.520	1.290	22mm
13084	3/8	1/2	0.312	0.437	0.520	0.600	1.370	27mm
13089	3/8	3/4	0.312	0.659	0.520	0.750	1.580	32mm
13085	1/2	1/2	0.437	0.437	0.600	0.600	1.450	27mm
13086	1/2	3/4	0.437	0.659	0.600	0.750	1.660	32mm
13087	3/4	3/4	0.708	0.708	0.750	0.750	1.810	32mm
13088	3/4	1	0.659	0.875	0.750	0.800	1.900	41mm
13090	1	1	0.875	0.875	0.800	0.800	1.950	41mm
13117	1-1/4	1-1/4	1.125	1.125	0.800	0.800	2.000	50mm

A/F dimensions are imperial unless stated.



	T1	T2	B1	B2	L1	L2	O/L	A/F
13119	1/8	1/4	3.96	5.00	11.18	11.43	29.46	19mm
13080	1/4	1/4	5	5.00	11.43	11.43	3.81	19mm
13081	1/4	3/8	5	7.92	11.43	13.21	30.73	22mm
13082	1/4	1/2	4.7	11.10	11.43	15.24	33.02	27mm
13083	3/8	3/8	7.92	7.92	13.21	13.21	32.77	22mm
13084	3/8	1/2	7.92	11.10	13.21	15.24	34.80	27mm
13089	3/8	3/4	7.92	16.74	13.21	19.05	40.13	32mm
13085	1/2	1/2	11.10	11.10	15.24	15.24	36.83	27mm
13086	1/2	3/4	11.10	16.74	15.24	19.05	42.16	32mm
13087	3/4	3/4	17.98	17.98	19.05	19.05	45.97	32mm
13088	3/4	1	16.74	22.23	19.05	20.32	48.26	41mm
13090	1	1	22.23	22.23	20.32	20.32	49.53	41mm
13117	1-1/4	1-1/4	28.58	28.58	20.32	20.32	50.80	50mm