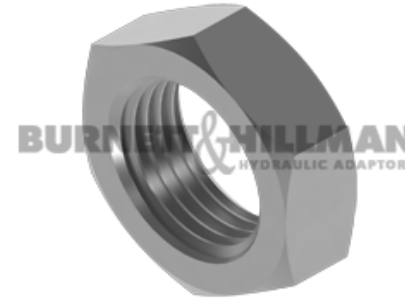
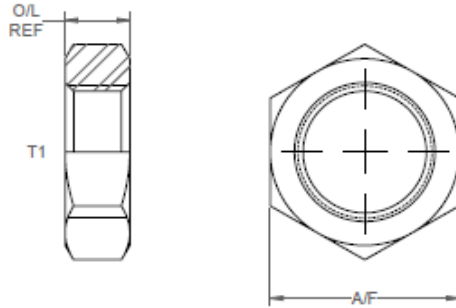
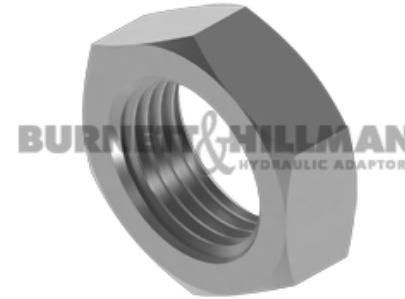
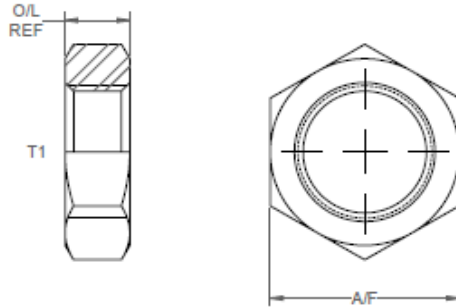


All dimensions are imperial unless stated.



	T1	O/L	A/F
09810	5/8	0.3	0.875

A/F dimensions are imperial unless stated.



	T1	O/L	A/F
09810	5/8	7.62	0.875