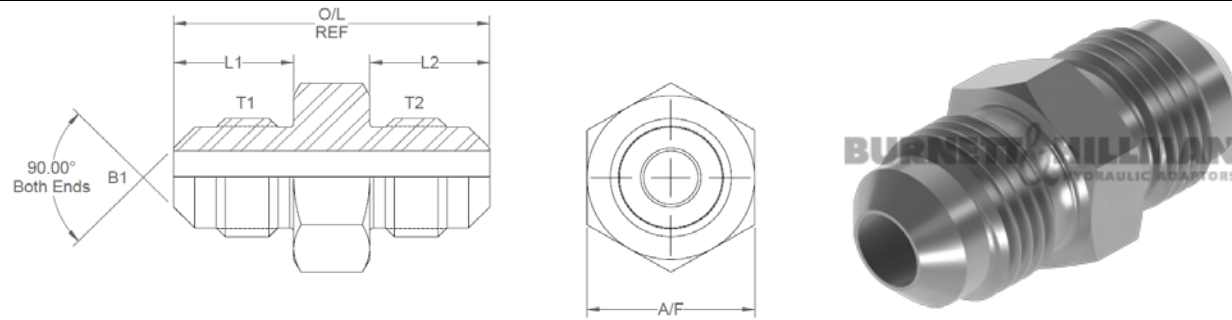
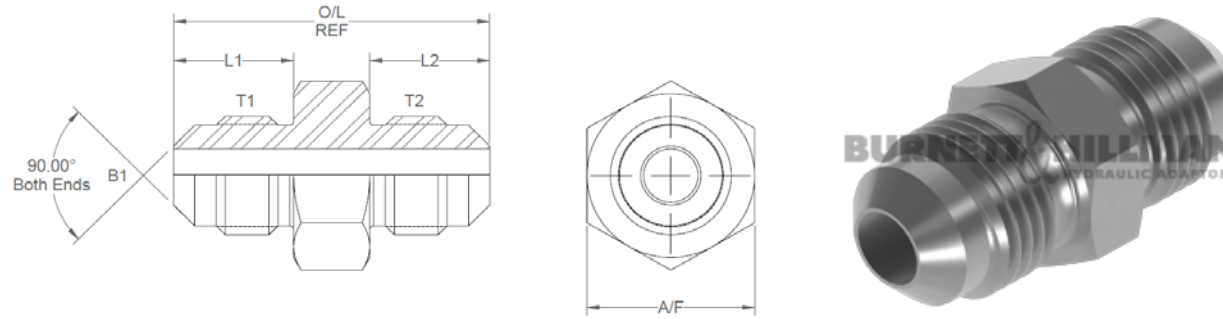


All dimensions are imperial unless stated.



	T1	T2	B1	L1	L2	O/L	A/F
01234	5/8	5/8	0.281	0.62	0.62	1.49	0.687

A/F dimensions are imperial unless stated.



	T1	T2	B1	L1	L2	O/L	A/F
01234	5/8	5/8	7.14	15.75	15.75	37.85	0.687