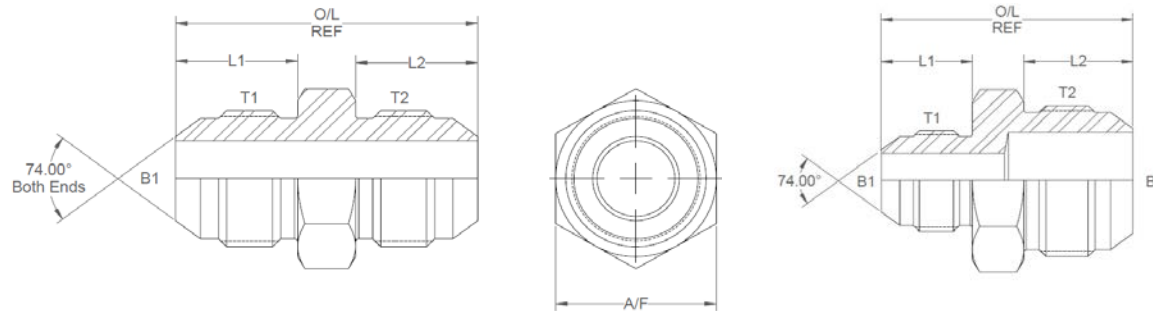


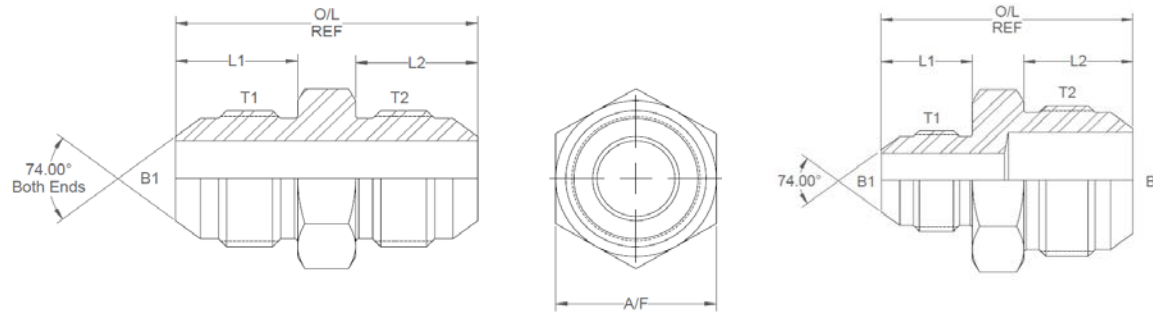
All dimensions are imperial unless stated.



| | T1 | T2 | B1 | B2 | L1 | L2 | O/L | A/F |
|-------|------|--------|-------|-------|-------|-------|------|-------|
| 01200 | 5/16 | 5/16 | 0.062 | | 0.448 | 0.448 | 1.17 | 0.437 |
| 01201 | 5/16 | 7/16 | 0.062 | 0.172 | 0.448 | 0.55 | 1.27 | 0.5 |
| 01239 | 3/8 | 3/8 | 0.125 | | 0.479 | 0.479 | 1.23 | 0.437 |
| 01241 | 3/8 | 7/16 | 0.125 | 0.172 | 0.479 | 0.5 | 1.3 | 0.5 |
| 01202 | 7/16 | 7/16 | 0.172 | | 0.55 | 0.55 | 1.37 | 0.5 |
| 01205 | 7/16 | 1/2 | 0.172 | 0.234 | 0.55 | 0.55 | 1.37 | 0.562 |
| 01203 | 7/16 | 9/16 | 0.172 | 0.297 | 0.55 | 0.556 | 1.4 | 0.625 |
| 01213 | 7/16 | 3/4 | 0.172 | 0.391 | 0.55 | 0.657 | 1.51 | 0.812 |
| 01204 | 7/16 | 7/8 | 0.172 | 0.484 | 0.55 | 0.758 | 1.67 | 1 |
| 01206 | 1/2 | 1/2 | 0.234 | | 0.55 | 0.55 | 1.37 | 0.562 |
| 01209 | 1/2 | 9/16 | 0.234 | 0.297 | 0.55 | 0.556 | 1.4 | 0.625 |
| 01207 | 1/2 | 3/4 | 0.234 | 0.391 | 0.55 | 0.657 | 1.51 | 0.812 |
| 01233 | 1/2 | 7/8 | 0.234 | 0.484 | 0.55 | 0.758 | 1.67 | 1 |
| 01208 | 1/2 | 1-1/16 | 0.234 | 0.609 | 0.55 | 0.864 | 1.85 | 1.125 |
| 01210 | 9/16 | 9/16 | 0.297 | | 0.556 | 0.556 | 1.41 | 0.625 |
| 01214 | 9/16 | 3/4 | 0.297 | 0.391 | 0.556 | 0.657 | 1.52 | 0.812 |
| 01211 | 9/16 | 7/8 | 0.297 | 0.484 | 0.556 | 0.758 | 1.68 | 1 |
| 01212 | 9/16 | 1-1/16 | 0.297 | 0.609 | 0.556 | 0.864 | 1.85 | 1.125 |
| 01237 | 9/16 | 1-3/16 | 0.297 | 0.719 | 0.556 | 0.89 | 1.88 | 1.25 |
| 01215 | 3/4 | 3/4 | 0.391 | | 0.657 | 0.657 | 1.62 | 0.812 |

DESIGN DETAILS AND SPECIFICATIONS SUBJECT TO CHANGE WITHOUT PRIOR NOTICE - Whilst every effort has been made to ensure the accuracy of the information supplied herein, Burnett & Hillman cannot be held responsible for any errors or omissions (E&OE)

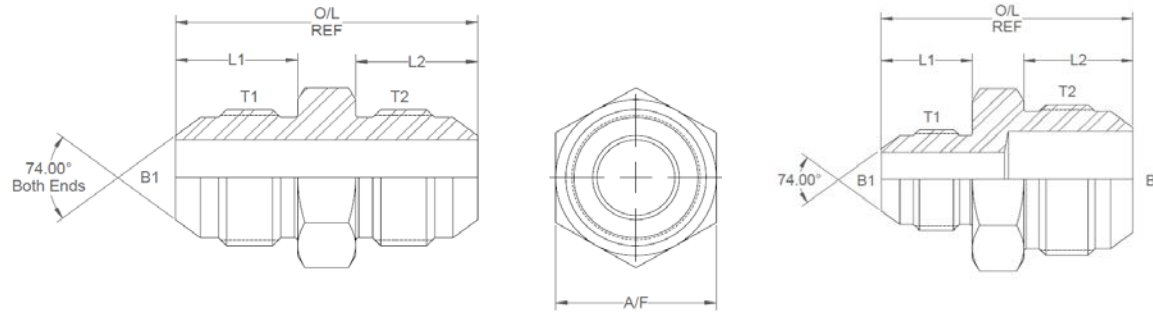
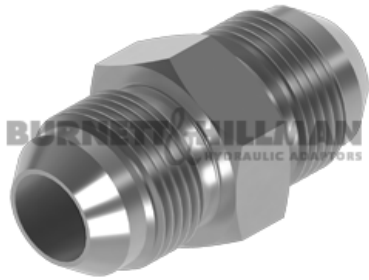
All dimensions are imperial unless stated.



| | T1 | T2 | B1 | B2 | L1 | L2 | O/L | A/F |
|-------|--------|--------|-------|-------|-------|-------|-------|-------|
| 01216 | 3/4 | 7/8 | 0.391 | 0.484 | 0.657 | 0.758 | 1.78 | 1 |
| 01217 | 3/4 | 1-1/16 | 0.391 | 0.609 | 0.657 | 0.864 | 1.95 | 1.125 |
| 01236 | 3/4 | 1-5/16 | 0.391 | 0.844 | 0.657 | 0.911 | 2 | 1.375 |
| 01243 | 3/4 | 1-5/8 | 0.391 | 1.078 | 0.657 | 0.96 | 2.13 | 1.75 |
| 01218 | 7/8 | 7/8 | 0.484 | | 0.758 | 0.758 | 1.88 | 1 |
| 01219 | 7/8 | 1-1/16 | 0.484 | 0.609 | 0.758 | 0.864 | 2.05 | 1.125 |
| 01220 | 7/8 | 1-3/16 | 0.484 | 0.719 | 0.758 | 0.89 | 2.08 | 1.25 |
| 01221 | 7/8 | 1-5/16 | 0.484 | 0.844 | 0.758 | 0.911 | 2.1 | 1.375 |
| 01222 | 1-1/16 | 1-1/16 | 0.609 | | 0.864 | 0.864 | 2.16 | 1.125 |
| 01223 | 1-1/16 | 1-3/16 | 0.609 | 0.719 | 0.864 | 0.89 | 2.18 | 1.25 |
| 01224 | 1-1/16 | 1-5/16 | 0.609 | 0.844 | 0.864 | 0.911 | 2.2 | 1.375 |
| 01240 | 1-1/16 | 1-5/8 | 0.609 | 1.078 | 0.864 | 0.958 | 2.322 | 1.75 |
| 01238 | 1-1/16 | 1-7/8 | 0.609 | 1.312 | 0.864 | 1.083 | 2.525 | 50mm |
| 01225 | 1-3/16 | 1-3/16 | 0.719 | | 0.89 | 0.89 | 2.21 | 1.25 |
| 01226 | 1-3/16 | 1-5/16 | 0.719 | 0.844 | 0.89 | 0.911 | 2.23 | 1.375 |
| 01227 | 1-5/16 | 1-5/16 | 0.844 | | 0.911 | 0.911 | 2.25 | 1.375 |
| 01228 | 1-5/16 | 1-5/8 | 0.844 | 1.078 | 0.911 | 0.958 | 2.38 | 1.75 |
| 01235 | 1-5/16 | 1-7/8 | 0.844 | 1.312 | 0.911 | 1.083 | 2.58 | 50mm |
| 01246 | 1-5/16 | 2-1/2 | 0.844 | 1.781 | 0.911 | 1.333 | 2.98 | 70mm |
| 01229 | 1-5/8 | 1-5/8 | 1.078 | | 0.958 | 0.958 | 2.43 | 1.75 |

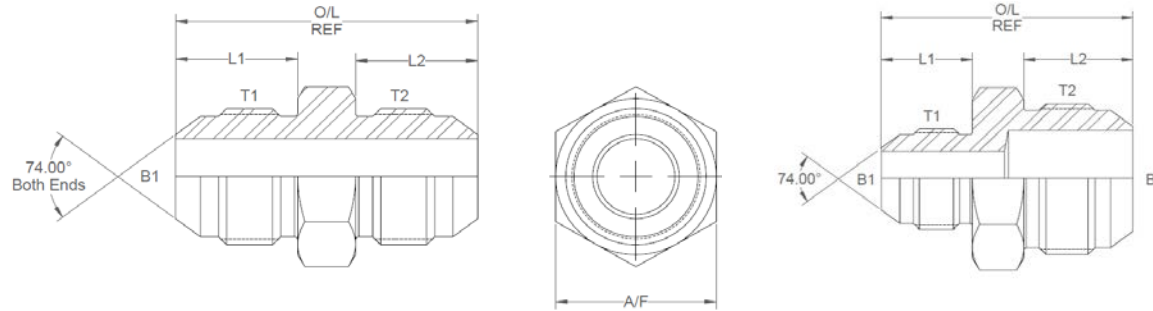
DESIGN DETAILS AND SPECIFICATIONS SUBJECT TO CHANGE WITHOUT PRIOR NOTICE - Whilst every effort has been made to ensure the accuracy of the information supplied herein, Burnett & Hillman cannot be held responsible for any errors or omissions (E&OE)

All dimensions are imperial unless stated.



| | T1 | T2 | B1 | B2 | L1 | L2 | O/L | A/F |
|-------|-------|-------|-------|-------|-------|-------|------|------|
| 01230 | 1-5/8 | 1-7/8 | 1.078 | 1.312 | 0.958 | 1.083 | 2.62 | 50mm |
| 01231 | 1-7/8 | 1-7/8 | 1.312 | | 1.083 | 1.083 | 2.75 | 50mm |
| 01247 | 1-7/8 | 2-1/2 | 1.312 | 1.781 | 1.083 | 1.333 | 3.1 | 70mm |
| 01232 | 2-1/2 | 2-1/2 | 1.781 | | 1.333 | 1.333 | 3.4 | 65mm |

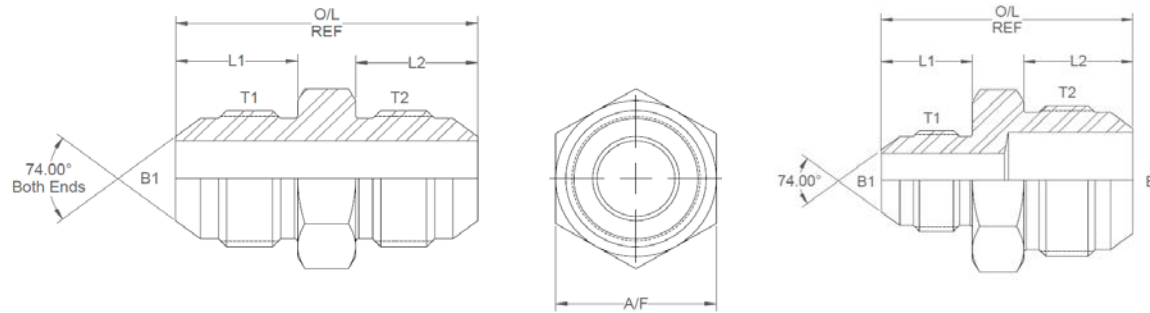
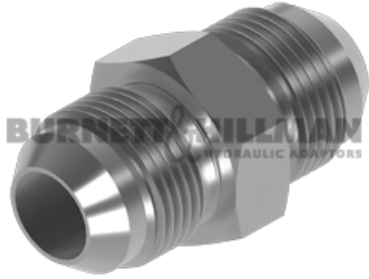
A/F dimensions are imperial unless stated.



| | T1 | T2 | B1 | B2 | L1 | L2 | O/L | A/F |
|-------|------|--------|------|-------|-------|-------|-------|-------|
| 01200 | 5/16 | 5/16 | 1.57 | | 11.38 | 11.38 | 29.72 | 0.437 |
| 01201 | 5/16 | 7/16 | 1.57 | 4.37 | 11.38 | 13.97 | 32.26 | 0.5 |
| 01239 | 3/8 | 3/8 | 3.18 | | 12.17 | 12.17 | 31.24 | 0.437 |
| 01241 | 3/8 | 7/16 | 3.18 | 4.37 | 12.17 | 12.70 | 33.02 | 0.5 |
| 01202 | 7/16 | 7/16 | 4.37 | | 13.97 | 13.97 | 34.80 | 0.5 |
| 01205 | 7/16 | 1/2 | 4.37 | 5.94 | 13.97 | 13.97 | 34.80 | 0.562 |
| 01203 | 7/16 | 9/16 | 4.37 | 7.54 | 13.97 | 14.12 | 35.56 | 0.625 |
| 01213 | 7/16 | 3/4 | 4.37 | 9.93 | 13.97 | 16.69 | 38.35 | 0.812 |
| 01204 | 7/16 | 7/8 | 4.37 | 12.29 | 13.97 | 19.25 | 42.42 | 1 |
| 01206 | 1/2 | 1/2 | 5.94 | | 13.97 | 13.97 | 34.80 | 0.562 |
| 01209 | 1/2 | 9/16 | 5.94 | 7.54 | 13.97 | 14.12 | 35.56 | 0.625 |
| 01207 | 1/2 | 3/4 | 5.94 | 9.93 | 13.97 | 16.69 | 38.35 | 0.812 |
| 01233 | 1/2 | 7/8 | 5.94 | 12.29 | 13.97 | 19.25 | 42.42 | 1 |
| 01208 | 1/2 | 1-1/16 | 5.94 | 15.47 | 13.97 | 21.95 | 46.99 | 1.125 |
| 01210 | 9/16 | 9/16 | 7.54 | | 14.12 | 14.12 | 35.81 | 0.625 |
| 01214 | 9/16 | 3/4 | 7.54 | 9.93 | 14.12 | 16.69 | 38.61 | 0.812 |
| 01211 | 9/16 | 7/8 | 7.54 | 12.29 | 14.12 | 19.25 | 42.67 | 1 |
| 01212 | 9/16 | 1-1/16 | 7.54 | 15.47 | 14.12 | 21.95 | 46.99 | 1.125 |
| 01237 | 9/16 | 1-3/16 | 7.54 | 18.26 | 14.12 | 22.61 | 47.75 | 1.25 |
| 01215 | 3/4 | 3/4 | 9.93 | | 16.69 | 16.69 | 41.15 | 0.812 |

DESIGN DETAILS AND SPECIFICATIONS SUBJECT TO CHANGE WITHOUT PRIOR NOTICE - Whilst every effort has been made to ensure the accuracy of the information supplied herein, Burnett & Hillman cannot be held responsible for any errors or omissions (E&OE)

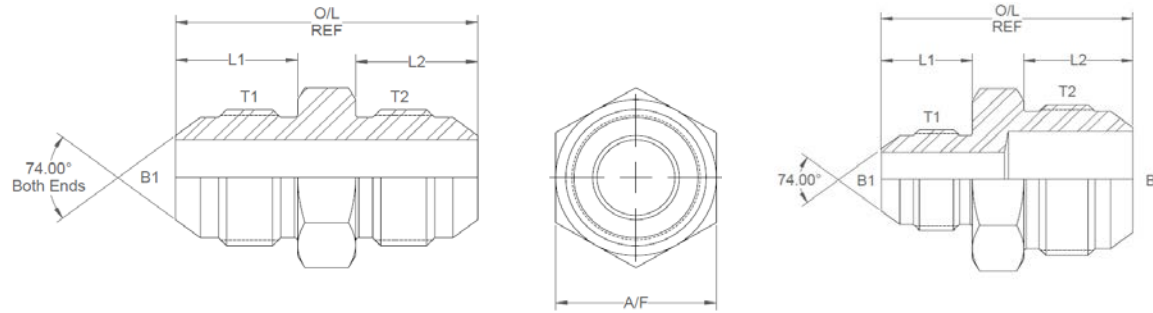
A/F dimensions are imperial unless stated.



| | T1 | T2 | B1 | B2 | L1 | L2 | O/L | A/F |
|-------|--------|--------|-------|-------|-------|-------|-------|-------|
| 01216 | 3/4 | 7/8 | 9.93 | 12.29 | 16.69 | 19.25 | 45.21 | 1 |
| 01217 | 3/4 | 1-1/16 | 9.93 | 15.47 | 16.69 | 21.95 | 49.53 | 1.125 |
| 01236 | 3/4 | 1-5/16 | 9.93 | 21.44 | 16.69 | 23.14 | 50.80 | 1.375 |
| 01243 | 3/4 | 1-5/8 | 9.93 | 27.38 | 16.69 | 24.38 | 54.10 | 1.75 |
| 01218 | 7/8 | 7/8 | 12.29 | | 19.25 | 19.25 | 47.75 | 1 |
| 01219 | 7/8 | 1-1/16 | 12.29 | 15.47 | 19.25 | 21.95 | 52.07 | 1.125 |
| 01220 | 7/8 | 1-3/16 | 12.29 | 18.26 | 19.25 | 22.61 | 52.83 | 1.25 |
| 01221 | 7/8 | 1-5/16 | 12.29 | 21.44 | 19.25 | 23.14 | 53.34 | 1.375 |
| 01222 | 1-1/16 | 1-1/16 | 15.47 | | 21.95 | 21.95 | 54.86 | 1.125 |
| 01223 | 1-1/16 | 1-3/16 | 15.47 | 18.26 | 21.95 | 22.61 | 55.37 | 1.25 |
| 01224 | 1-1/16 | 1-5/16 | 15.47 | 21.44 | 21.95 | 23.14 | 55.88 | 1.375 |
| 01240 | 1-1/16 | 1-5/8 | 15.47 | 27.38 | 21.95 | 24.33 | 58.98 | 1.75 |
| 01238 | 1-1/16 | 1-7/8 | 15.47 | 33.32 | 21.95 | 27.51 | 64.14 | 50mm |
| 01225 | 1-3/16 | 1-3/16 | 18.26 | | 22.61 | 22.61 | 56.13 | 1.25 |
| 01226 | 1-3/16 | 1-5/16 | 18.26 | 21.44 | 22.61 | 23.14 | 56.64 | 1.375 |
| 01227 | 1-5/16 | 1-5/16 | 21.44 | | 23.14 | 23.14 | 57.15 | 1.375 |
| 01228 | 1-5/16 | 1-5/8 | 21.44 | 27.38 | 23.14 | 24.33 | 60.45 | 1.75 |
| 01235 | 1-5/16 | 1-7/8 | 21.44 | 33.32 | 23.14 | 27.51 | 65.53 | 50mm |
| 01246 | 1-5/16 | 2-1/2 | 21.44 | 45.24 | 23.14 | 33.86 | 75.69 | 70mm |
| 01229 | 1-5/8 | 1-5/8 | 27.38 | | 24.33 | 24.33 | 61.72 | 1.75 |

DESIGN DETAILS AND SPECIFICATIONS SUBJECT TO CHANGE WITHOUT PRIOR NOTICE - Whilst every effort has been made to ensure the accuracy of the information supplied herein, Burnett & Hillman cannot be held responsible for any errors or omissions (E&OE)

A/F dimensions are imperial unless stated.



| | T1 | T2 | B1 | B2 | L1 | L2 | O/L | A/F |
|-------|-------|-------|-------|-------|-------|-------|-------|------|
| 01230 | 1-5/8 | 1-7/8 | 27.38 | 33.32 | 24.33 | 27.51 | 66.55 | 50mm |
| 01231 | 1-7/8 | 1-7/8 | 33.32 | | 27.51 | 27.51 | 69.85 | 50mm |
| 01247 | 1-7/8 | 2-1/2 | 33.32 | 45.24 | 27.51 | 33.86 | 78.74 | 70mm |
| 01232 | 2-1/2 | 2-1/2 | 45.24 | | 33.86 | 33.86 | 86.36 | 65mm |